

08025DA (3110FB)

DC Axial Fan

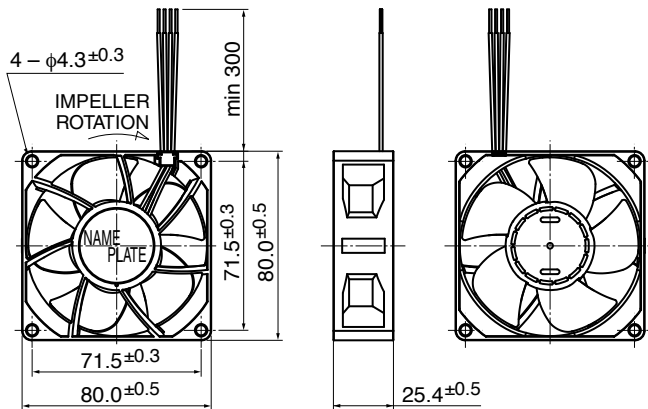
80[□]X25^L



General Specifications

Motor Protection	Auto Restart / Polarity Protection
Insulation Resistance	10MΩ or over with a DC500V Megger
Dielectric Withstand Voltage	AC700V 1s
Allowable Ambient Temperature Range	- 10°C ~ + 60°C (Operating) ※ PClass - 10°C ~ + 70°C (Operating) ※ NClass - 40°C ~ 70°C (Storage) non-condensing environment

Outline

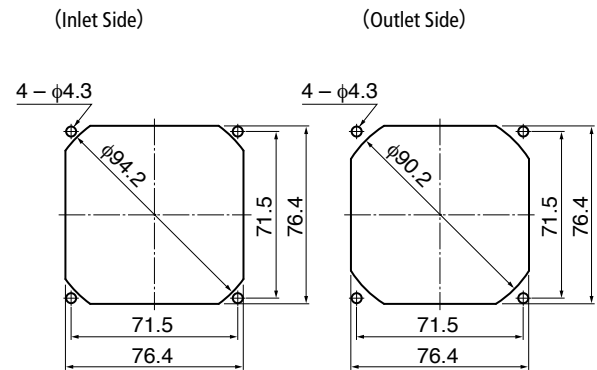


* Outline is A (Rib) type.

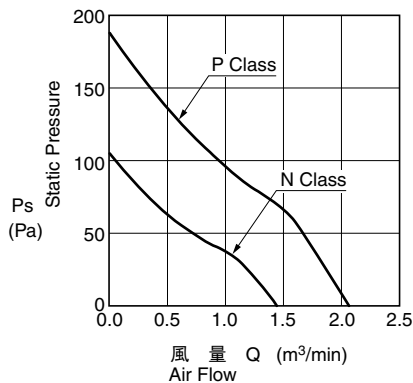
Expected Life ※ Failure Rate: 10% (L10 Life)

40°C 70,000 (Hours)

Panel Out-cuts



Characteristic Curves



Material

Casing	: Plastic (Black) UL94V-0
Impeller	: Plastic (Black) UL94V-0
Bearing	: Ball Bearing
Lead Wire	: UL1430 AWG24 + : Red, - : Black

Variable speed type is also available.
Please inquire regarding the other requirements.

Customize service for IP compatible type and Oil-proof type is available for this item.
Please contact to our sales representative for more detail.

Specifications

□ = Casing Form --- A: Rib Type, E: Flange Type

Model	Product No.	Rating Voltage	Operating Voltage	Current	Input Power	Speed	Max. Air Flow		Max. Static Pressure		Noise	Mass
		(V)	(V)	(A)*1	(W)*1	(min ⁻¹)*1	(m ³ /min)*1	(CFM)*1	(Pa)	(In H ₂ O)	(dB)*1	(g)
08025DA-12N-□A-	00	12	7 ~ 13.2	0.22	2.64	5000	1.45	51.0	105.0	0.42	45.0	120
08025DA-12P-□A-	00			0.49	5.88	7000	2.05	73.0	188.0	0.75	55.0	
08025DA-24N-□A-	00	24	15 ~ 27.6	0.13	3.12	5000	1.45	51.0	105.0	0.42	45.0	
08025DA-24P-□A-	00			0.27	6.48	7000	2.05	73.0	188.0	0.75	55.0	

Rotation: Clockwise as seen from the label side
Airflow Outlet: Label side

*1: Average Values in Free Air