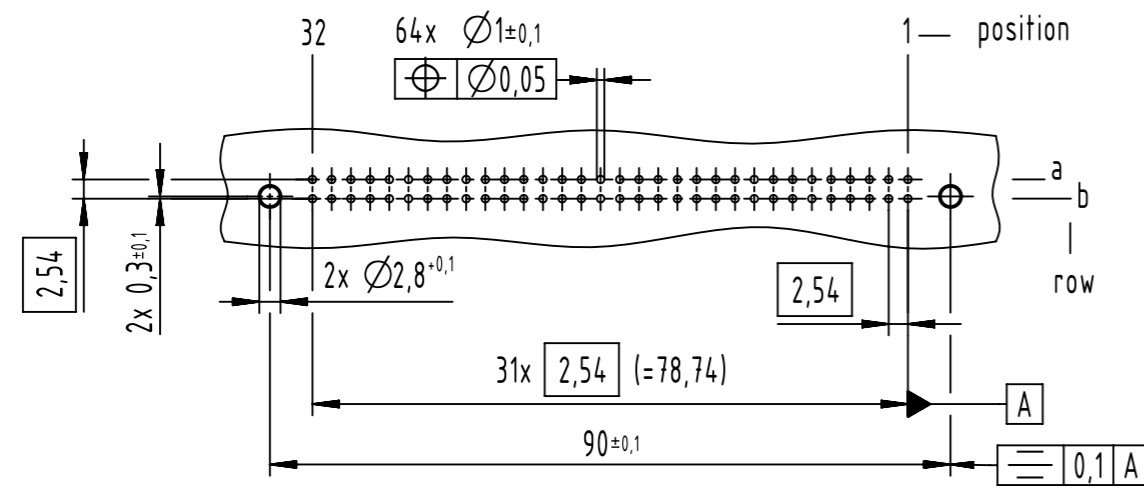


1 2 3 4 5 6 7 8

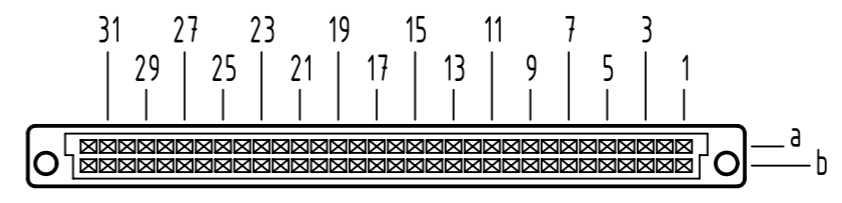
A  
B  
C  
D  
E  
F

A  
B  
C  
D  
E  
F

**A**  
board drillings



**A**  
contact arrangement

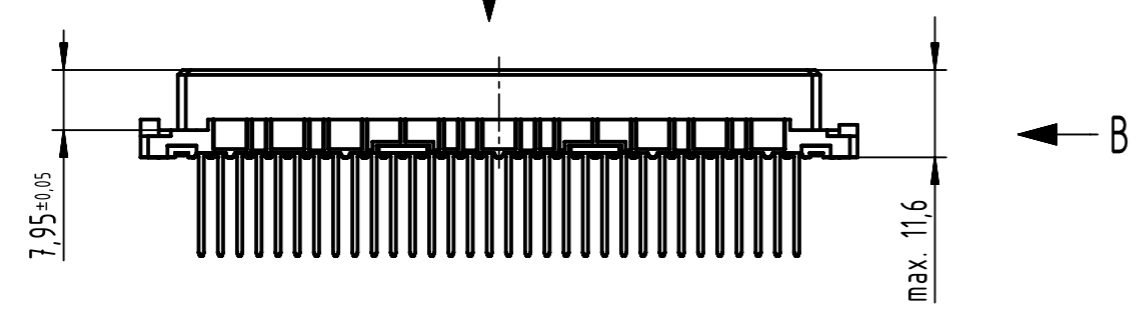


64 solder contacts

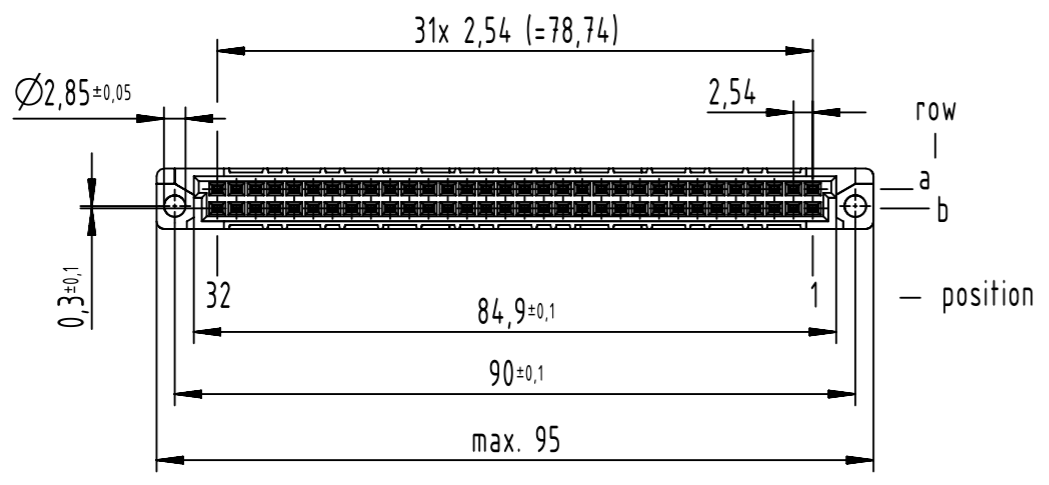
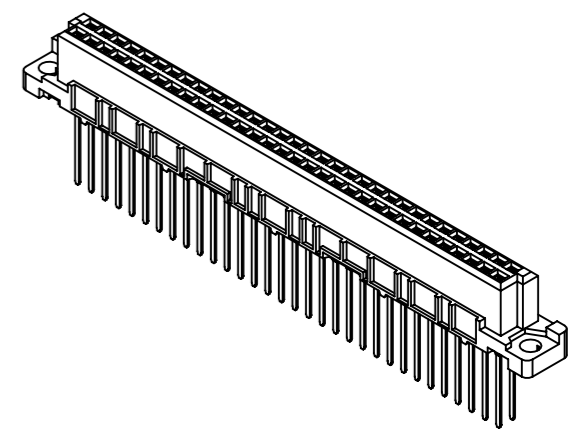
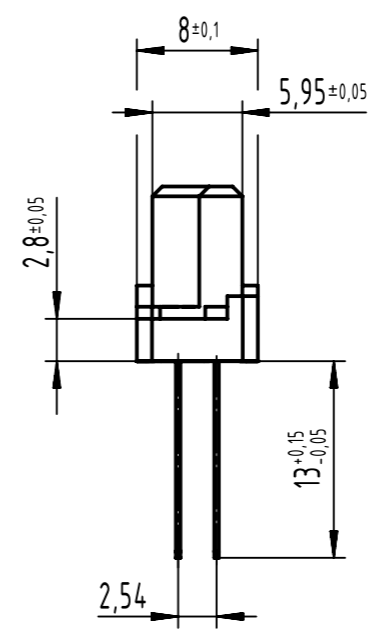
☒ = position with contact

☐ = position without contact

**A**



**B (2:1)**



further information see product data sheet

09 02 264 6421	2
part-no	performance level

	All Dimensions in mm Original Size DIN A3		Scale 1:1	Free size tol. IEC 60603-2		Ref.	
	All rights reserved Department EL PD		Created by 00103855	Inspected by STORCK	Standardisation	Date 2023-05-11	State Final Release
HARTING D-32339 Espelkamp		Title DIN Signal type B female solder 13.0 64-pole				Doc-Key / ECM-Nr. 100179617/UGD/054/D 50000242980	
		Type TB	Number 0902264X421		Rev. D	Page 1/1	

1 2 3 4 5 6 7 8