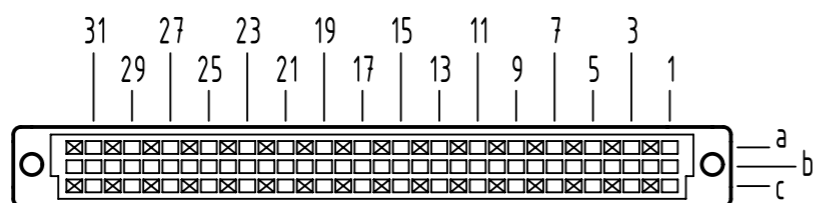


A
contact arrangement



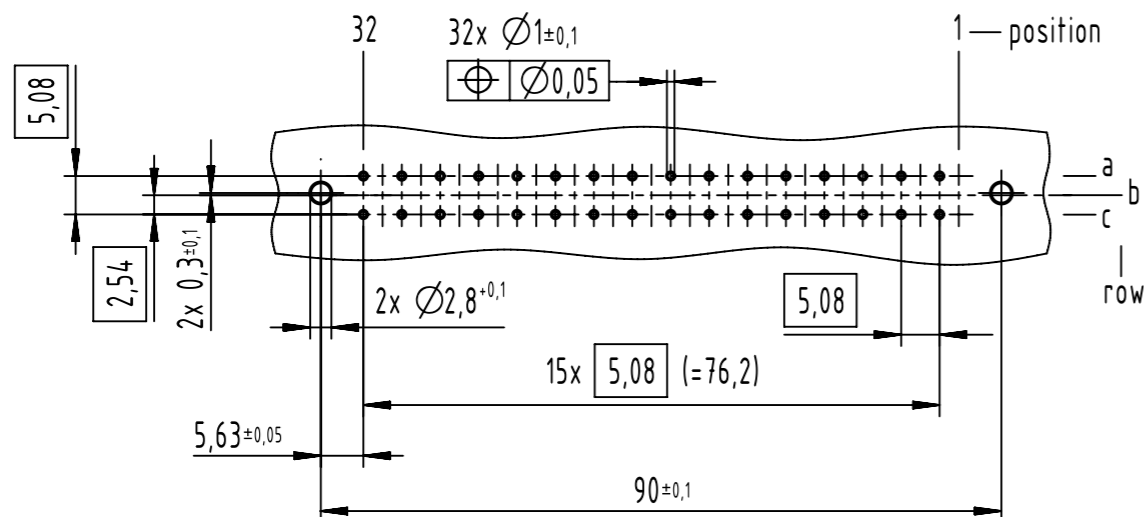
32 solder contacts

☒ = solder contact

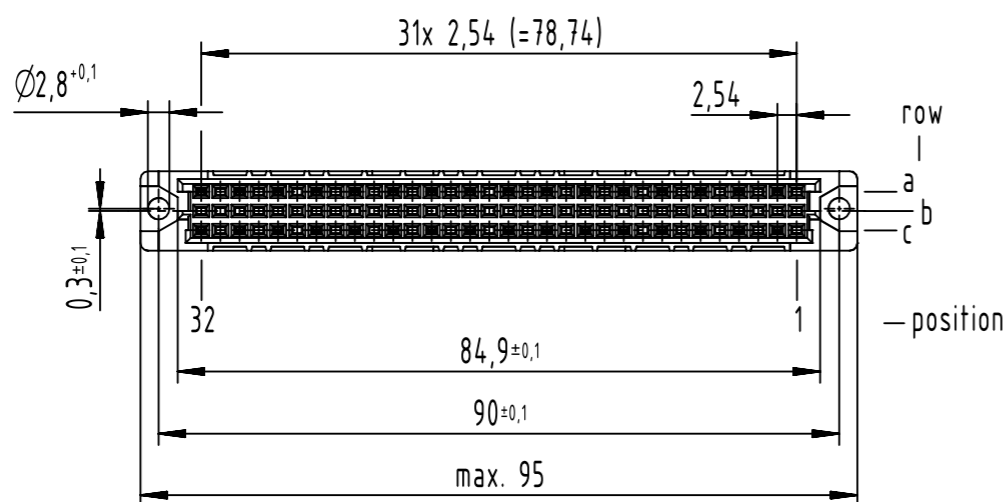
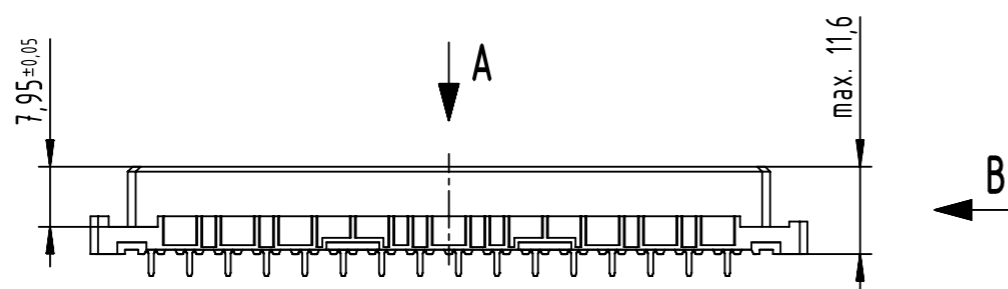
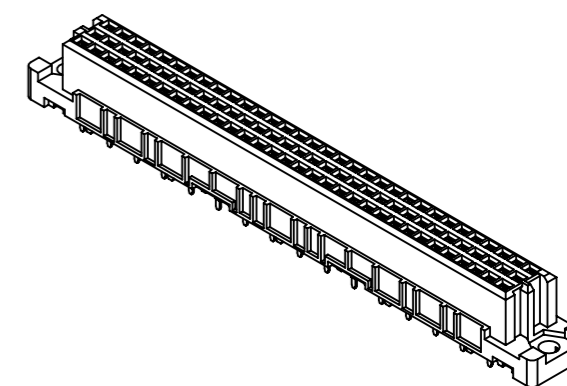
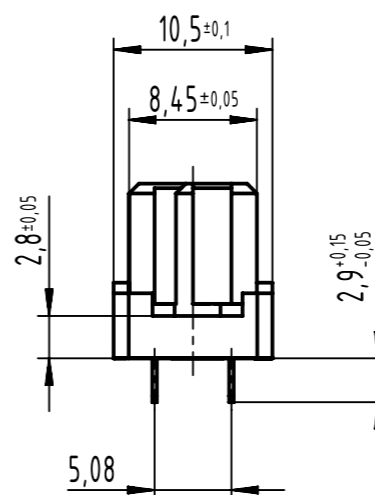
■ = kinked solder contact

□ = position without contact

A
board drillings



B (2:1)



09 03 232 7824	3
09 03 232 6824	2
09 03 232 2824	1
part no.	performance level

further information see product data sheet

	All Dimensions in mm Original Size DIN A3	Scale 1:1	Free size tol. IEC 60603-2	Ref. Sub. TB 09 03 232 x824 / Mod. 36400 / 24.06.2011	
	All rights reserved Department EL PD	Created by STORCK	Inspected by LEHNERT	Standardisation 302077	Date 2021-03-12
Title DIN Signal type C female solder 2.9 32-pole		Type TB		State Final Release	
HARTING D-32339 Espelkamp		Number 0903232X824		Doc-Key / ECM-Nr. 100173852/UGD/026/G 500000190255	Rev. G Page 1/1