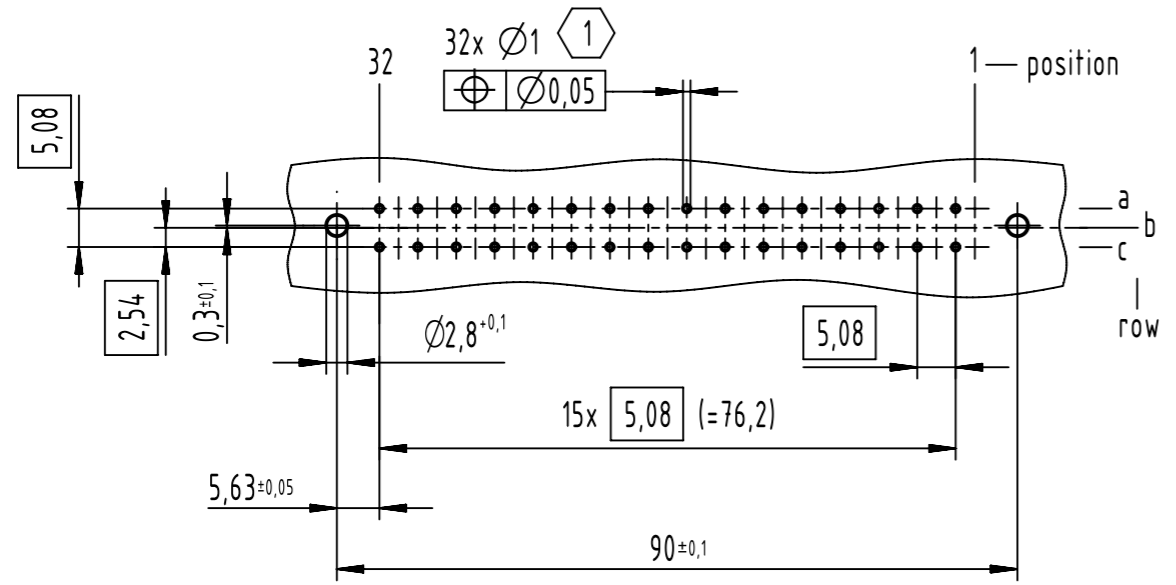


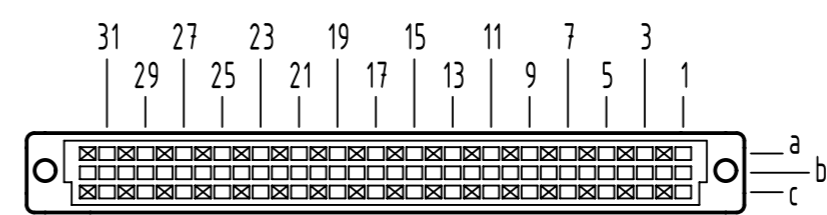
1 2 3 4 5 6 7 8

A
B
C
D
E
F

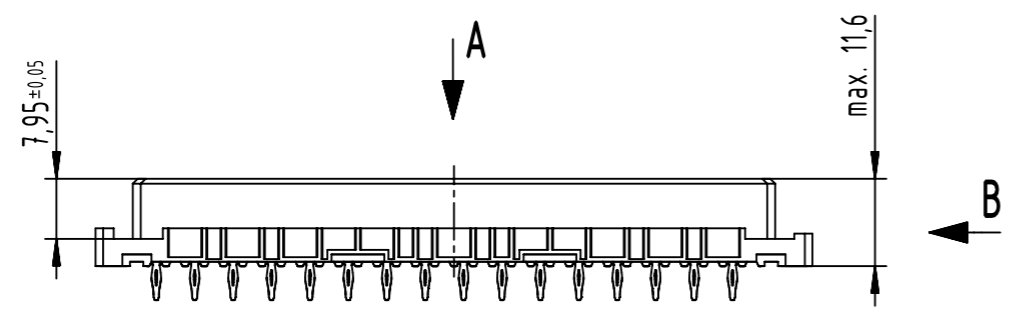
A
board drillings



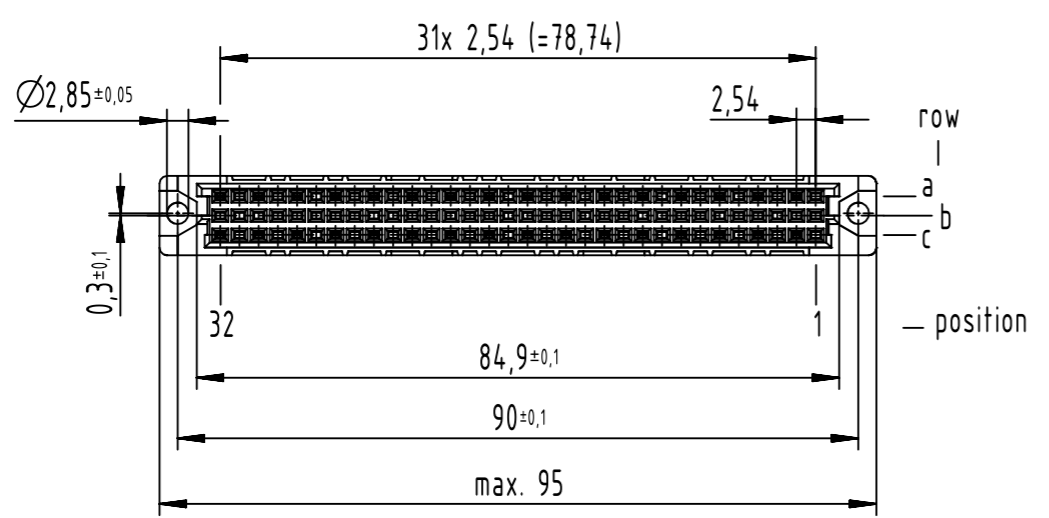
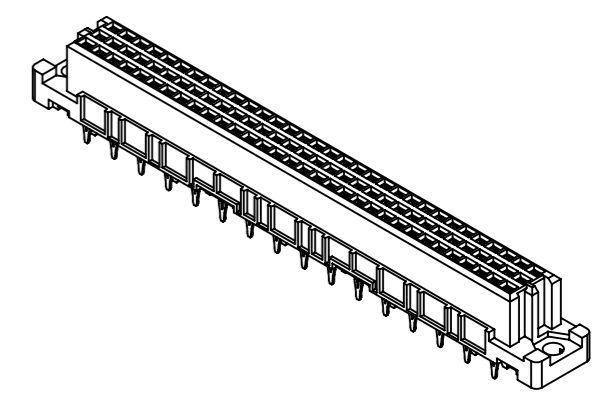
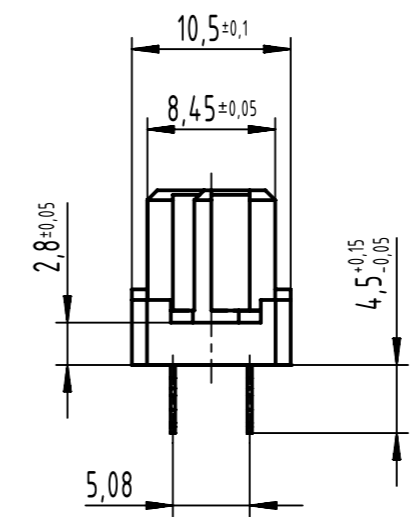
A
contact arrangement



32 press-in contacts
 X = press-in contact
 □ = position without contact



B (2:1)



1 recommended configuration of plated through holes and further information see product data sheet

09 03 232 6850	2
09 03 232 2850	1
part no.	performance level

HARTING D-32339 Espelkamp	All rights reserved Department EL PD	All Dimensions in mm Original Size DIN A3	Scale 1:1 Free size tol. IEC 60603-2	Ref. Sub.
		Created by STORCK Inspected by LEHNERT	Standardisation 302077 Date 2021-02-11 State Final Release	Title DIN Signal type C female press-in 4.5 32-pole Type TB Number 0903232X850

1 2 3 4 5 6 7 8