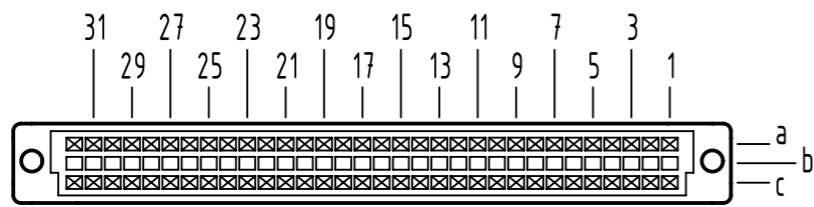


**A**  
contact arrangement



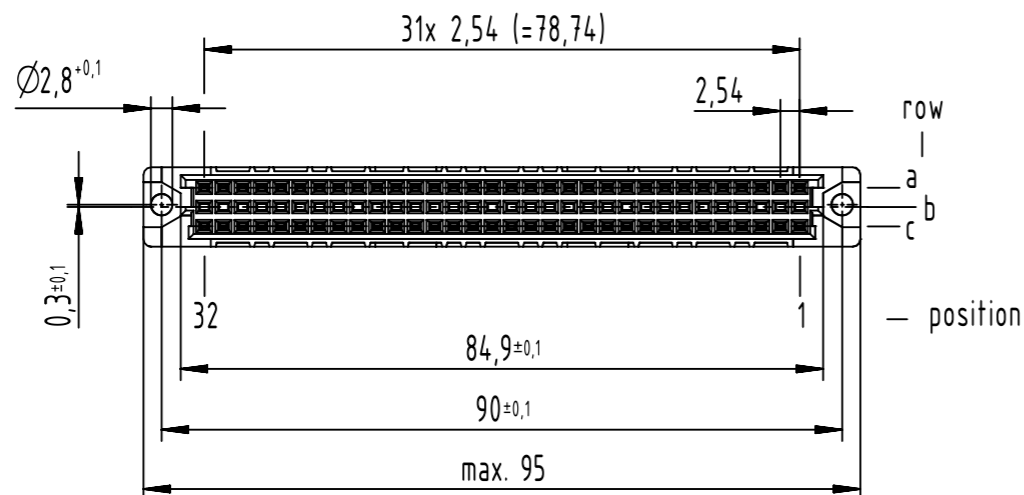
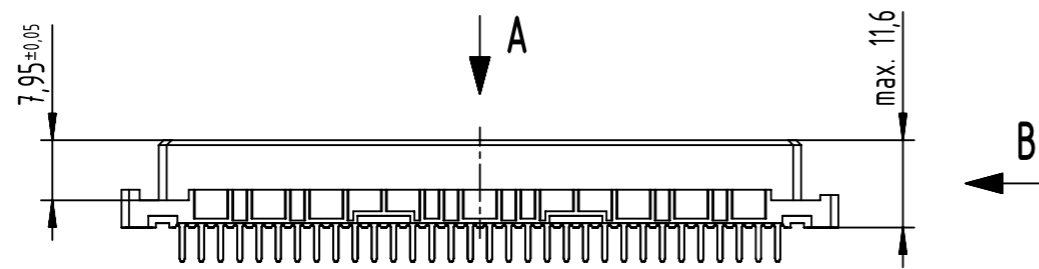
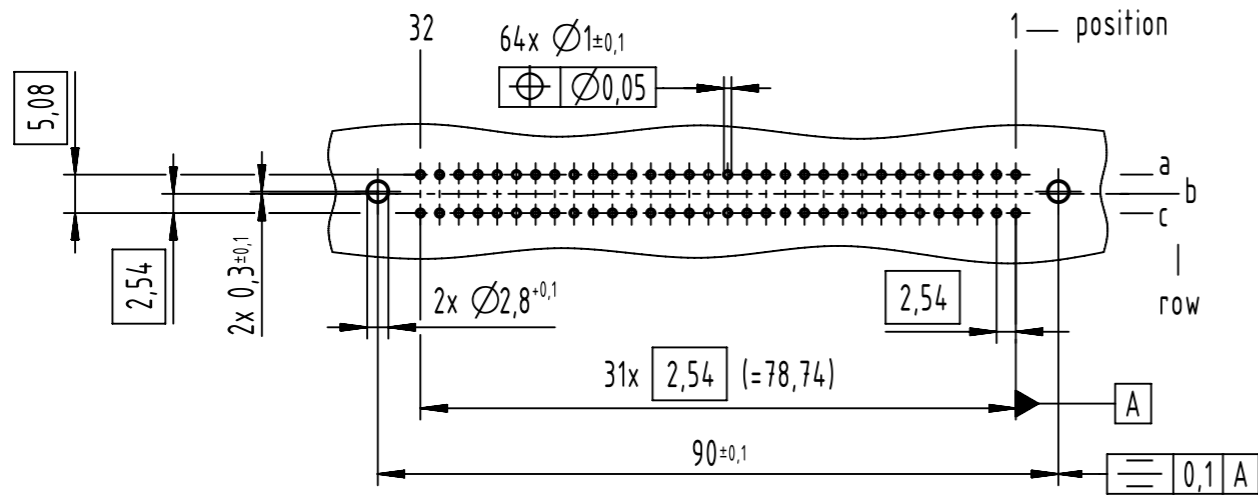
64 solder-contacts

☒ = solder-contact

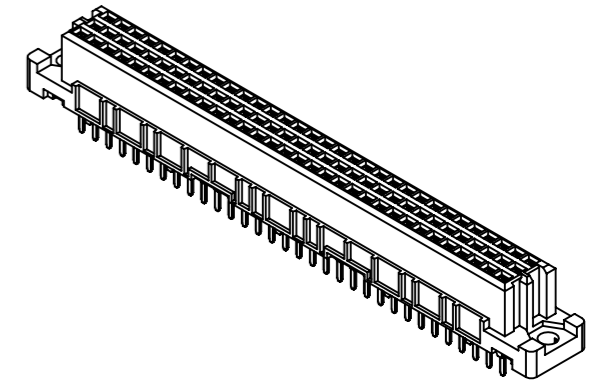
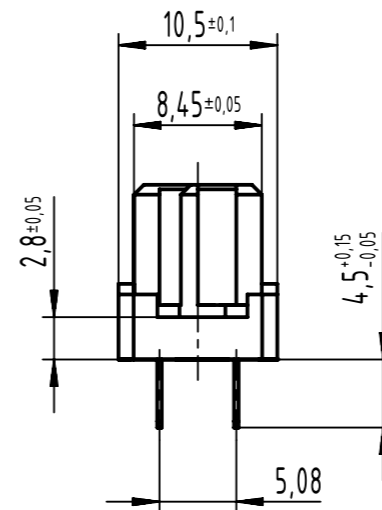
■ = kinked solder-contact

□ = position without contact

**A**  
board drillings



**B (2:1)**



09 03 264 8825	Au50
09 03 264 7825	3
09 03 264 6825	2
09 03 264 2825	1
part no.	performance level

further information see product data sheet

All rights reserved Department EL PD HARTING D-32339 Espelkamp		All Dimensions in mm Original Size DIN A3 Scale 1:1 Free size tol. IEC 60603-2 Created by STORCK Inspected by LEHNERT Standardisation 302077 Date 2021-03-18 State Final Release Title DIN Signal type C female solder 4.5 64-pole Type TB Number 0903264X825	Ref. Sub. Doc-Key / ECM-Nr. 100173852/UGD/104/G 500000190783 Rev. G Page 1/1
---	--	---	--