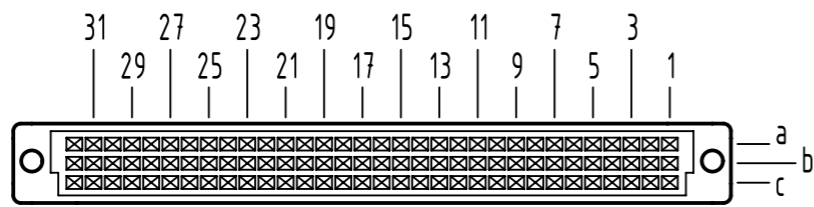


**A**  
contact arrangement

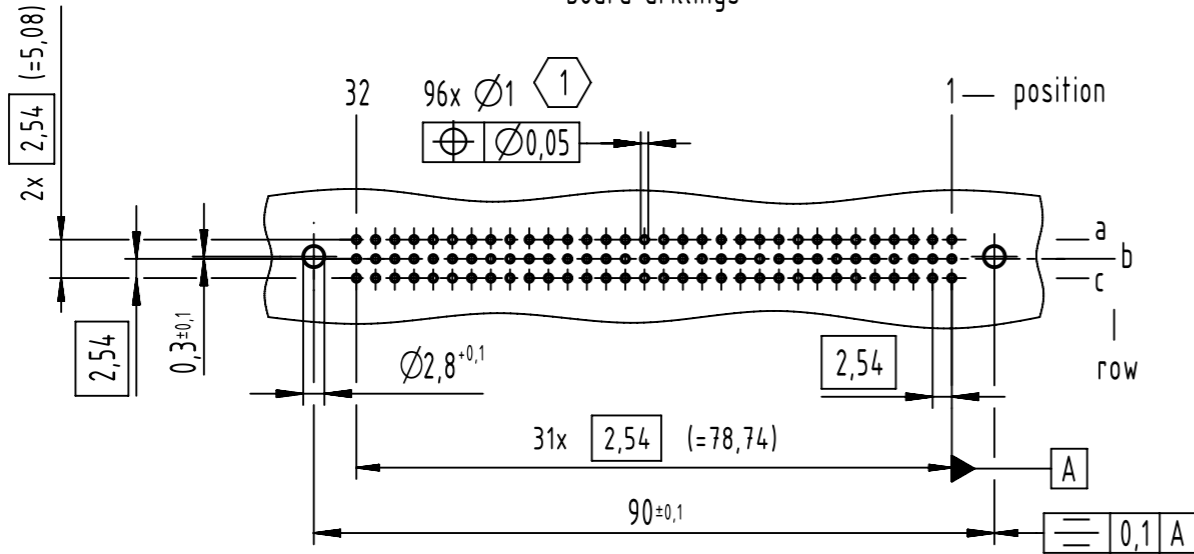


96 press-in-contacts

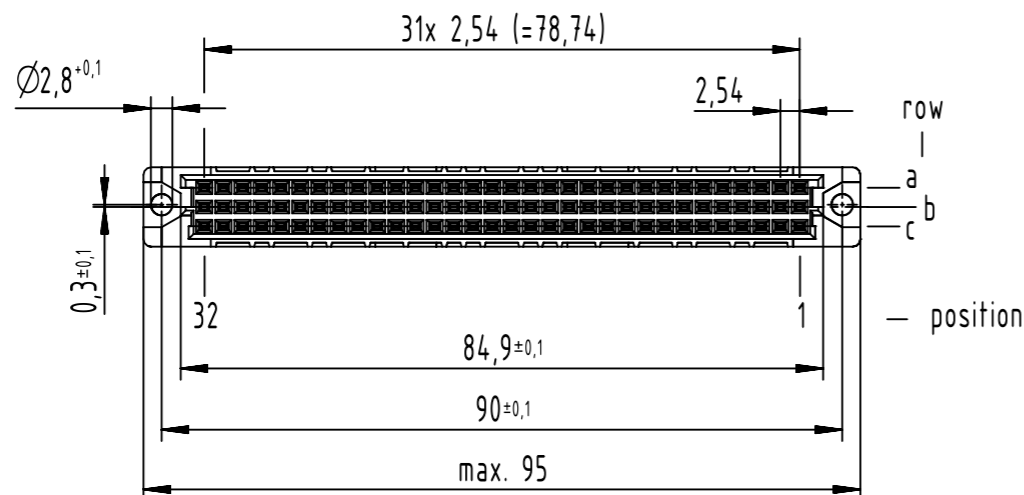
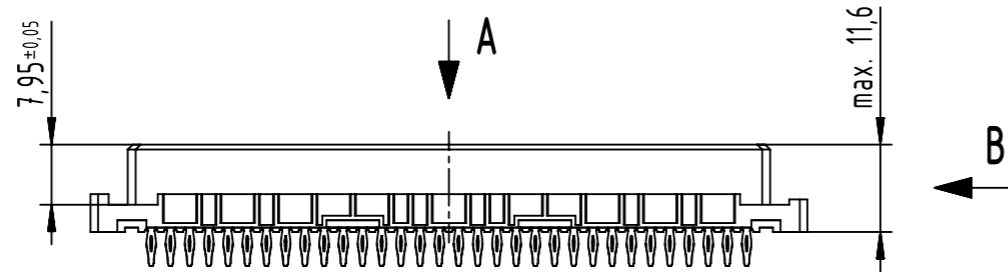
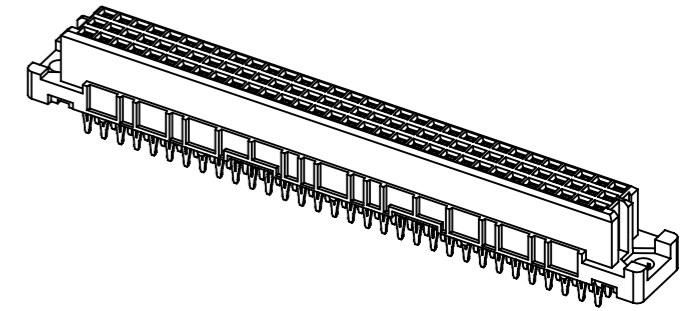
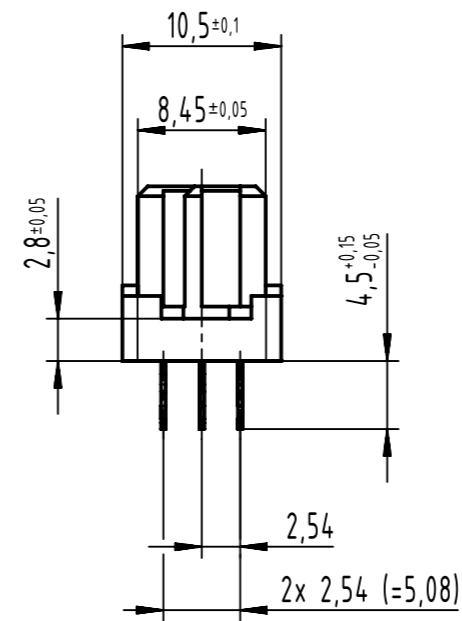
☒ = position with contact

□ = position without contact

**A**  
board drillings



**B (2:1)**



1 recommended configuration of plated through holes and further information see product data sheet

09 03 296 4850	Au70
09 03 296 8850	Au50
09 03 296 2850 015	Au1
09 03 296 5850	NM30 (S4)
09 03 296 7850	3
09 03 296 6850	2
09 03 296 2850	1
part no.	performance level

All Dimensions in mm Original Size DIN A3		Scale 1:1	Free size tol. IEC 60603-2	Ref. Sub.
All rights reserved Department EL PD		Created by STORCK	Inspected by LEHNERT	Standardisation 302077
HARTING D-32339 Espelkamp		Title DIN Signal type C female press-in 4.5 96-pole		Date 2021-02-16
		Type TB	Number 0903296X850	State Final Release
				Doc-Key / ECM-Nr. 100173852/UGD/166/G 500000189290
				Rev. G Page 1/1