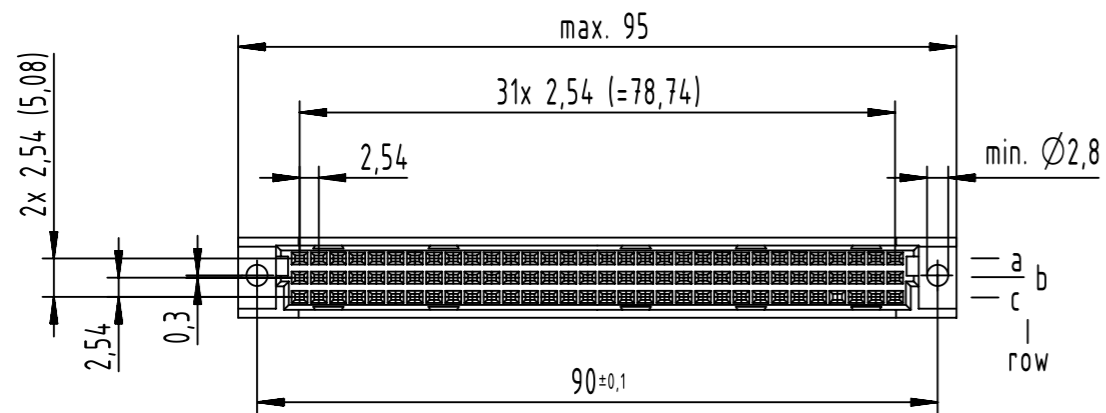
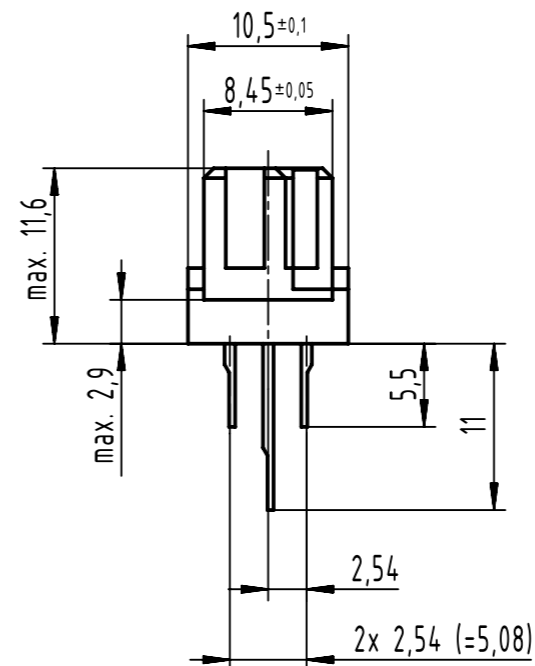
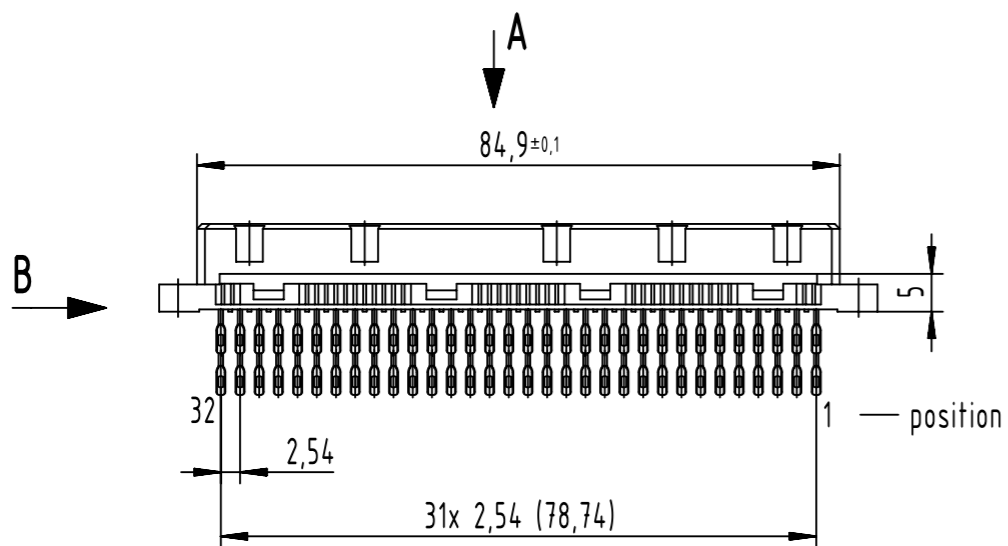


96 solder lug contacts

⊠ = position with solder lug 5.5mm

■ = position with solder lug 11mm

□ = position without contact



further information see product data sheet

09 03 296 6823	2
part no.	performance level

	All Dimensions in mm Original Size DIN A3		Scale 1:1	Free size tol. IEC 60603-2		Ref.	
	All rights reserved Department EL PD		Created by STORCK	Inspected by LEHNERT	Standardisation 302077	Date 2021-02-24	State Final Release
HARTING D-32339 Espelkamp		Title DIN Signal type C female solder lug 96-pole				Doc-Key / ECM-Nr. 100158942/UGD/001/D 500000189600	
		Type TB	Number 0903296X823			Rev. D	Page 1/1