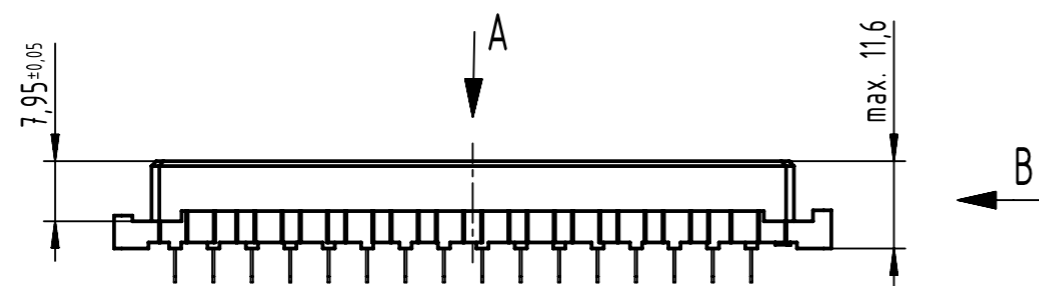


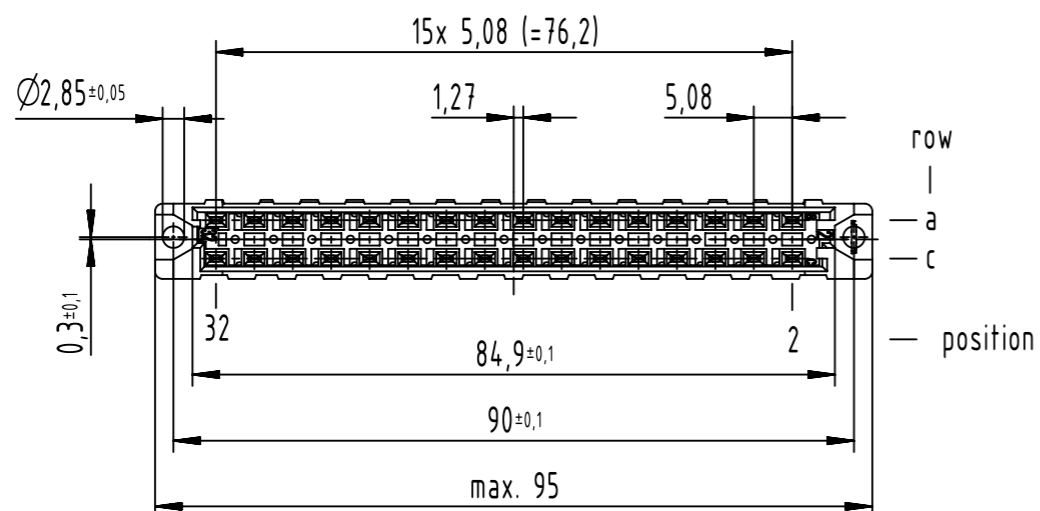
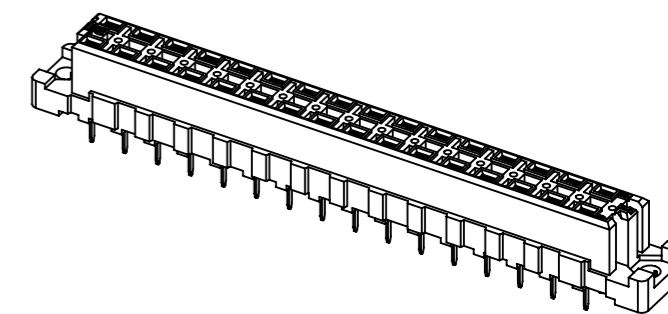
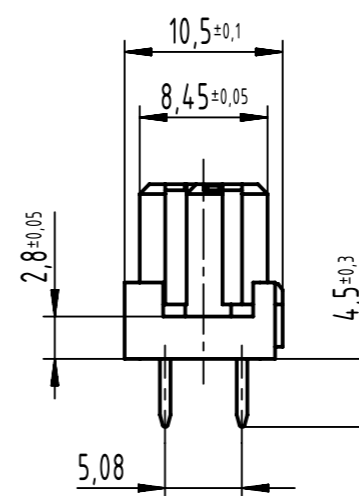
32 solder contacts

☒ = position with contact

☐ = position without contact



B (2:1)



further information see product data sheet

	All rights reserved Department EL PD	Created by BUSSMANN	Inspected by STORCK	Standardisation	Date 2023-08-24	State Final Release	Ref.
							Sub.
Title DIN Power type D female solder 4.5 32-pole							Doc-Key / ECM-Nr. 100217573/UGD/009/D 50000251116
HARTING D-32339 Espelkamp		Type TB	Number 0904232X831		Rev. D	Page 1/1	

09 04 232 7831	3
09 04 232 6831	2
09 04 232 2831	1
part-no	performance level