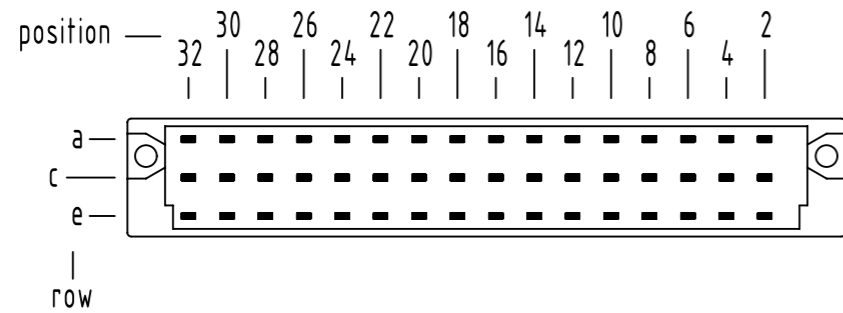
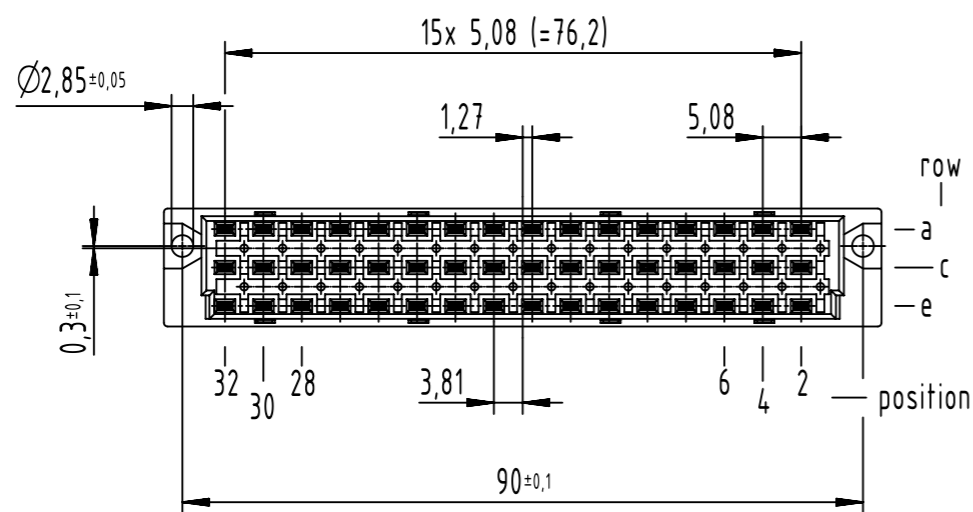
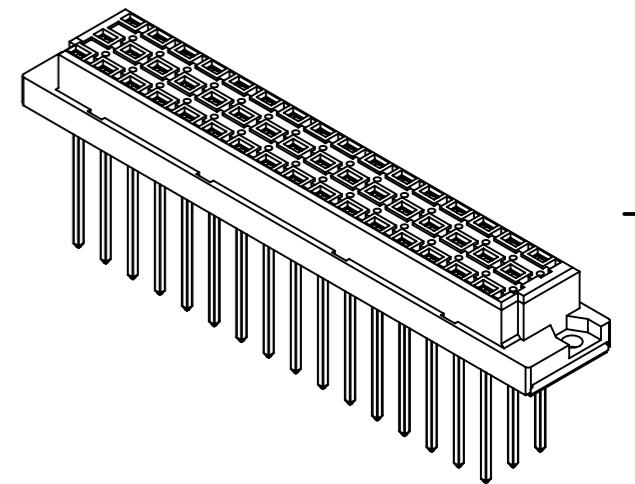
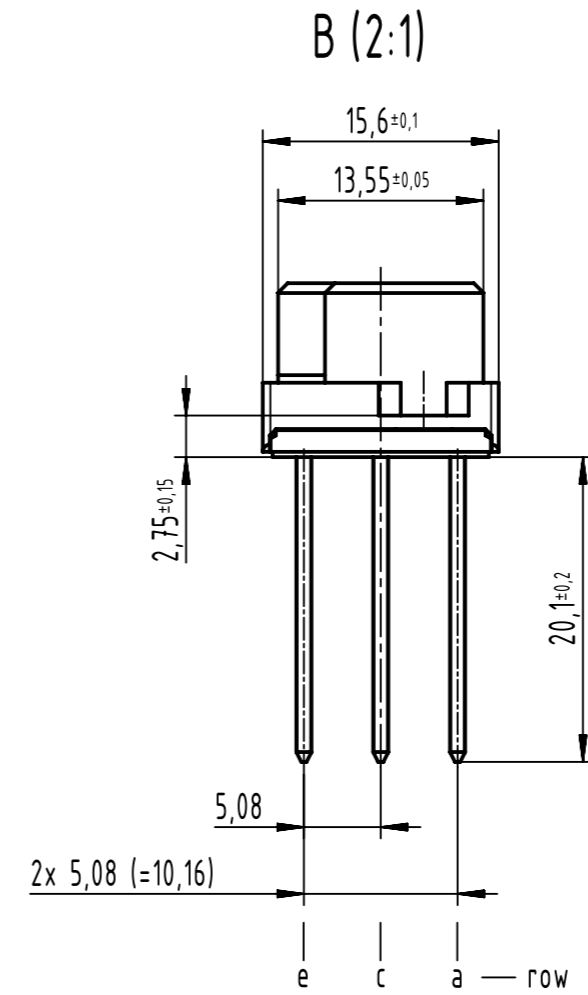
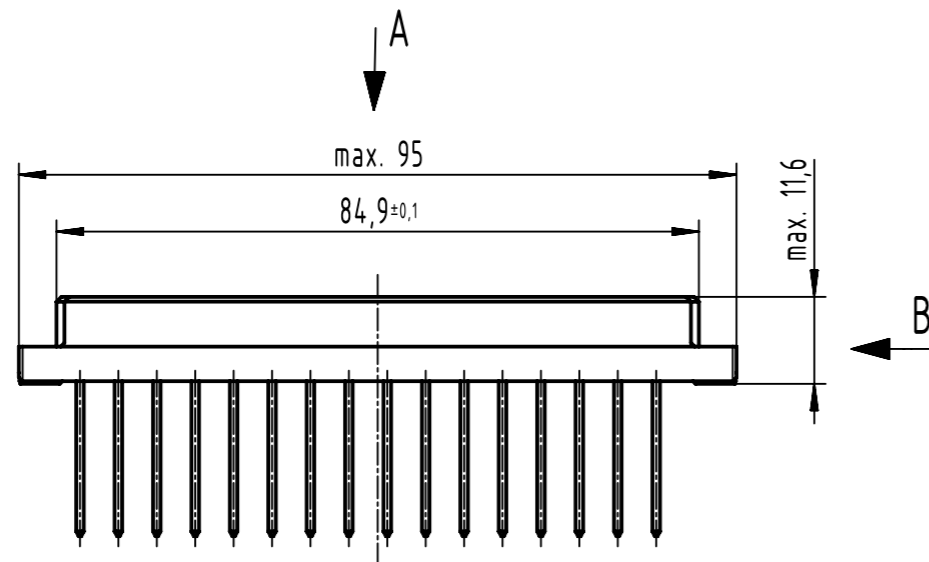


A
contact arrangement



48 WW - contacts
 ■ = position with contact
 □ = position without contact



09 05 248 7821	3
09 05 248 6821	2
09 05 248 2821	1
part no.	performance level

further information see product data sheet

	All Dimensions in mm Original Size DIN A3	Scale 1:1	Free size tol. IEC 60603-2	Ref. Sub.
	All rights reserved Department EL PD	Created by BUSSMANN	Inspected by STORCK	Standardisation
HARTING D-32339 Espelkamp	Title DIN Power type E fem conn WW straight 20.0 48-pole			Doc-Key / ECM-Nr. 100084346/UGD/009/D 50000251568
	Type TB	Number 0905248X821	Date 2023-08-30	State Final Release
				Rev. D Page 1/1