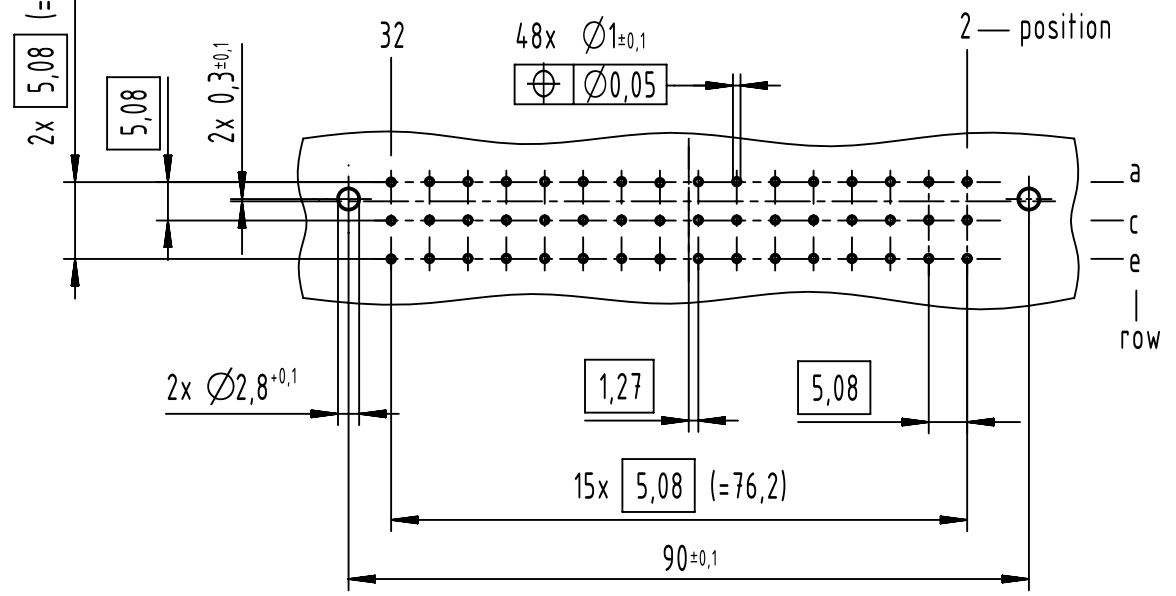


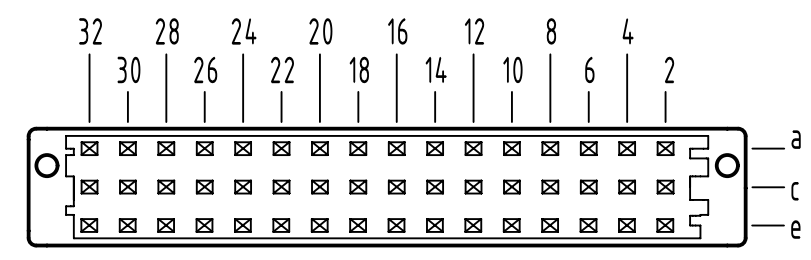
1 2 3 4 5 6 7 8

A
B
C
D
E
F

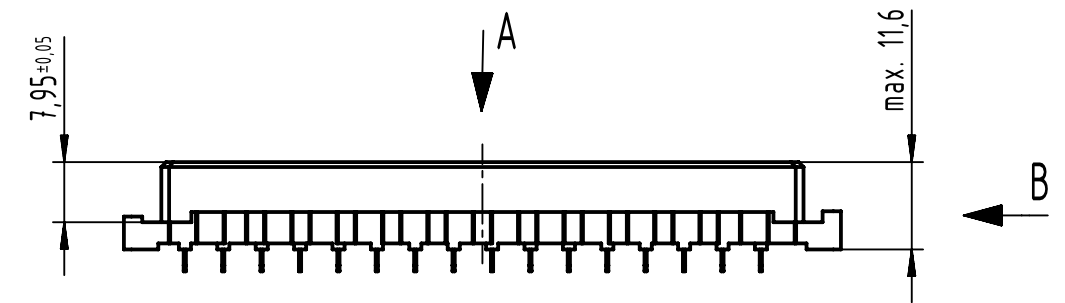
A
board drillings



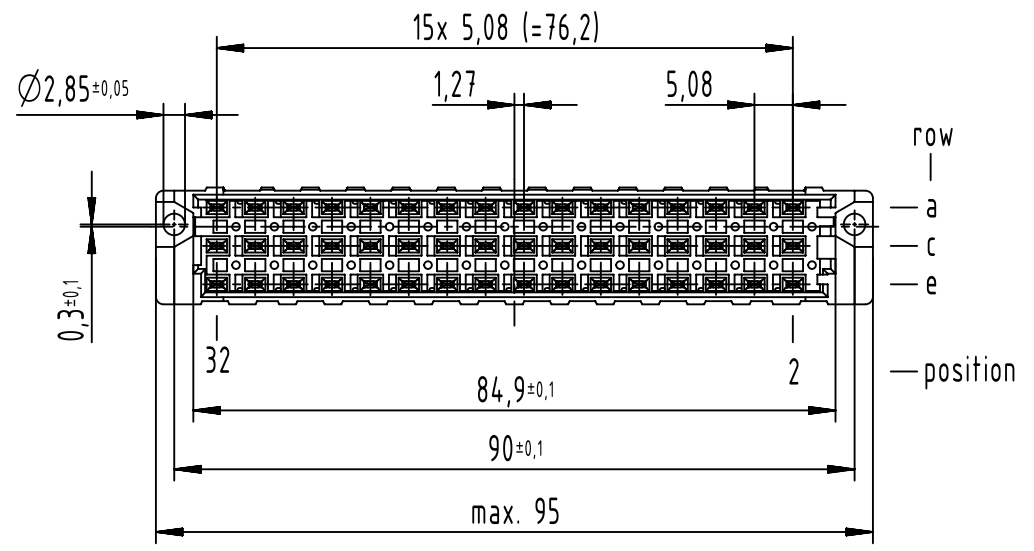
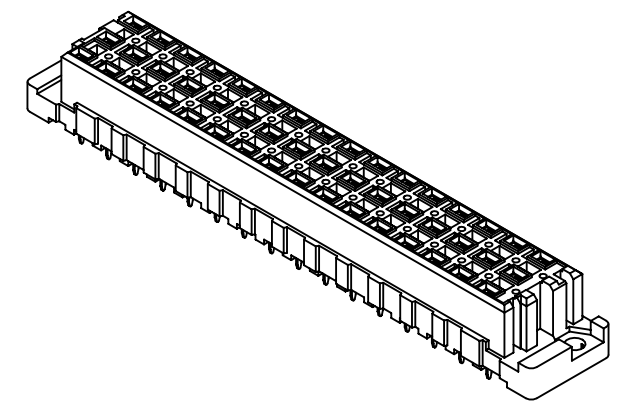
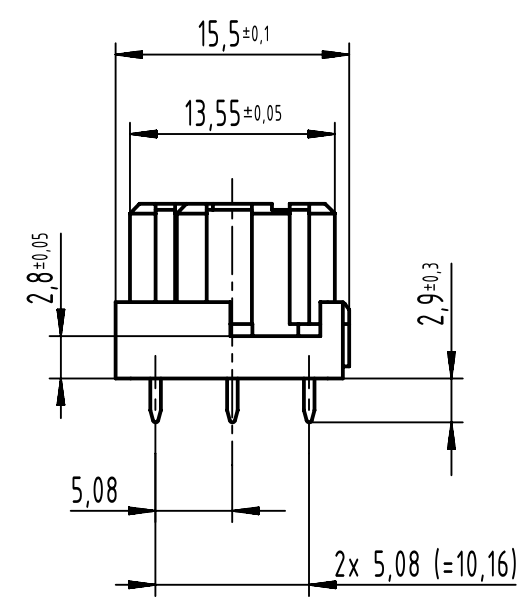
A
contact arrangement



48 solder contacts
 ☒ = position with contact
 □ = position without contact



B (2:1)



09 05 248 7832	3
09 05 248 6832	2
09 05 248 2832	1
part no.	performance level

further information see product data sheet

All rights reserved Department EL PD HARTING D-32339 Espelkamp	All Dimensions in mm Original Size DIN A3	Scale 1:1	Free size tol. IEC 60603-2	Ref. Sub.
	Created by BUSSMANN T	Inspected by STORCK	Standardisation	Date 2023-08-30
Title DIN Power type E female solder 2.9 48-pole				Doc-Key / ECM-Nr. 100217574/UGD/010/D 500000251568
Type TB		Number 0905248X832		Rev. D
				Page 1/1

1 2 3 4 5 6 7 8