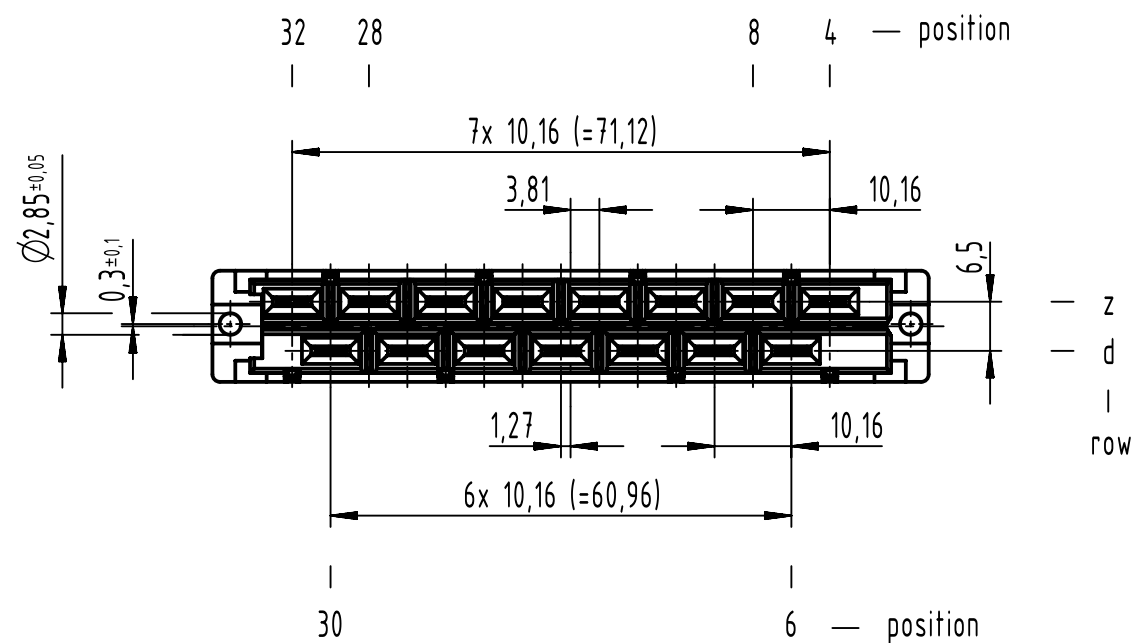
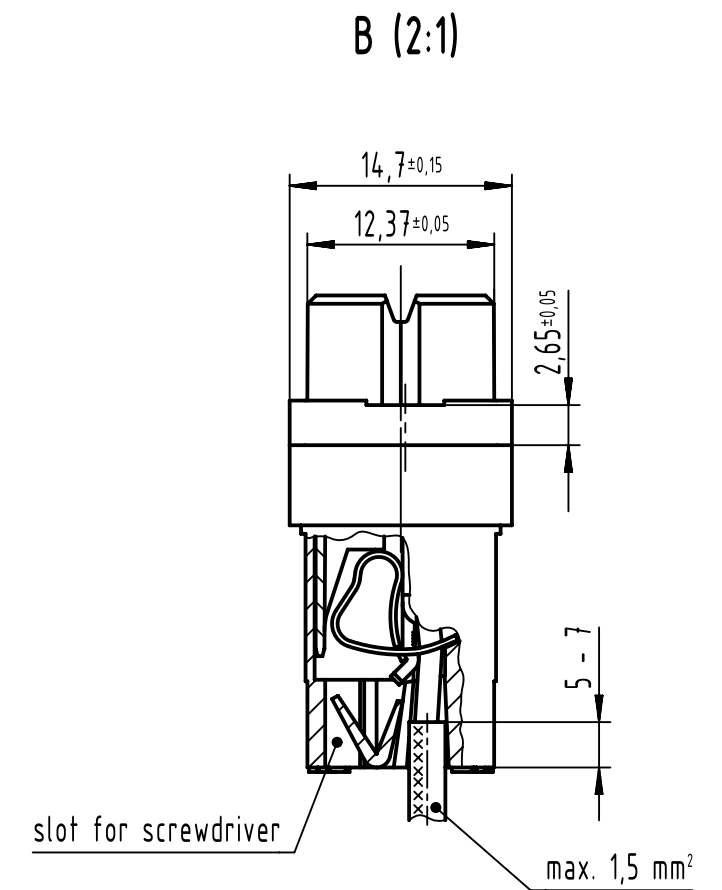
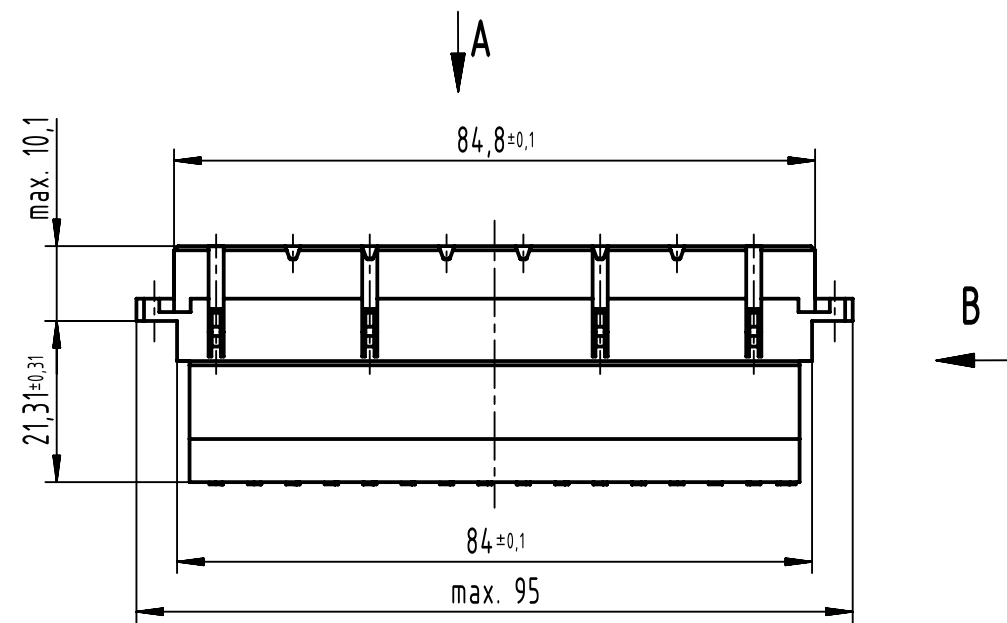


15 contacts

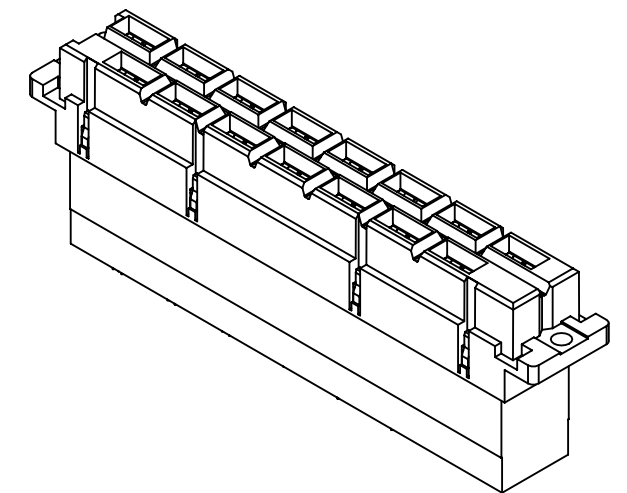
⊗ = position with contact

□ = position without contact



stripping length: 4-10 mm
wire gauge: 0,14-1,5 mm²

further information see product data sheet



	All rights reserved Department EL PD	Created by ZWAHR	Inspected by LEHNERT	Standardisation	Date 2023-07-06	State Final Release
		Title type H15 female connector with cage clamp				
HARTING D-32339 Espelkamp		Type TB	Number 09060152813		Rev. C	Page 1/1