

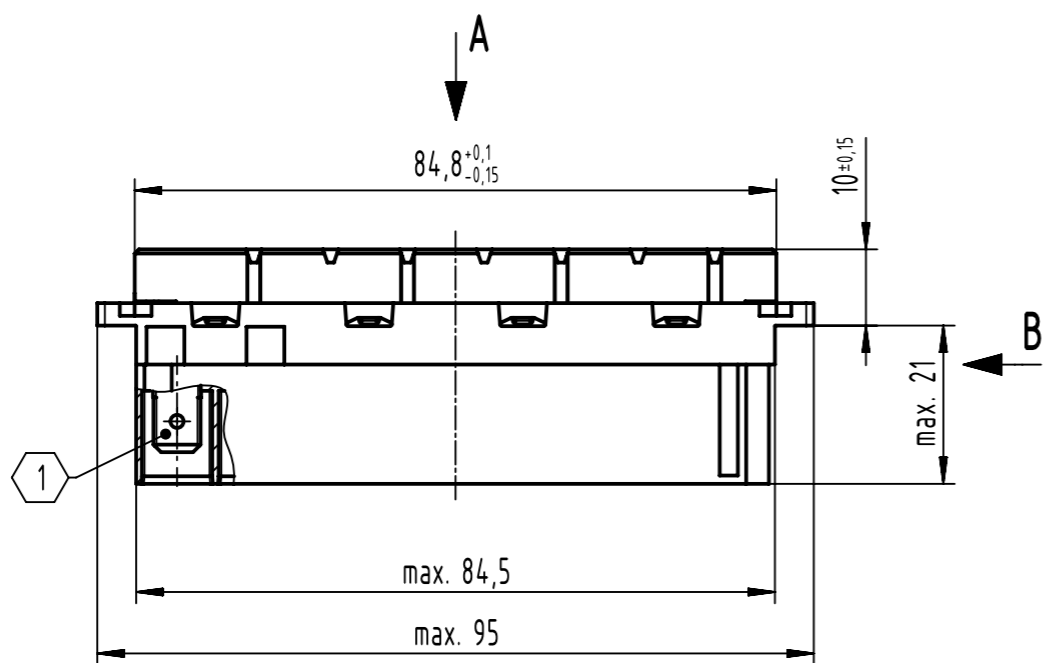
A
contact arrangement

32 30 28 26 24 22 20 18 16 14 12 10 8 6 4

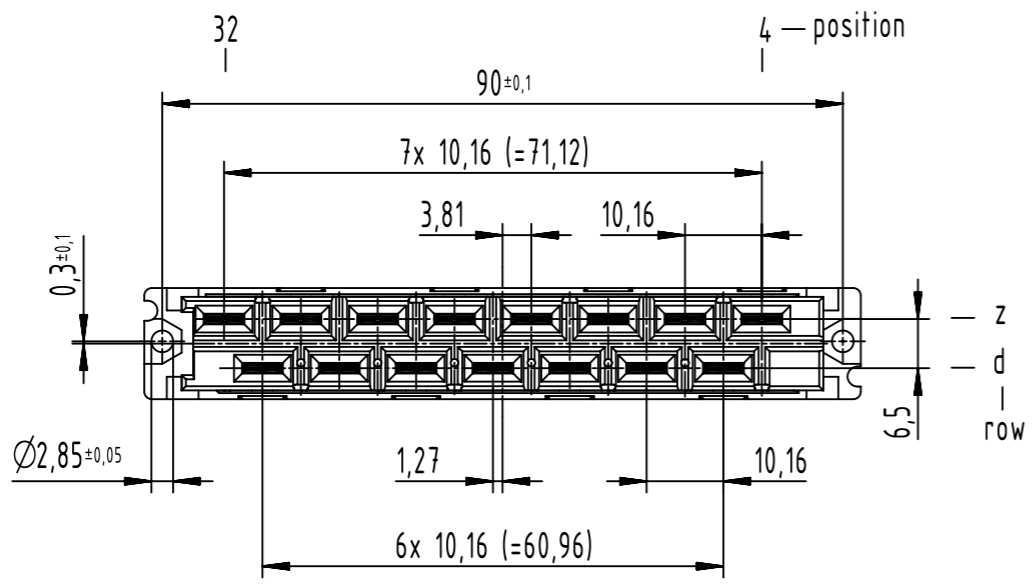
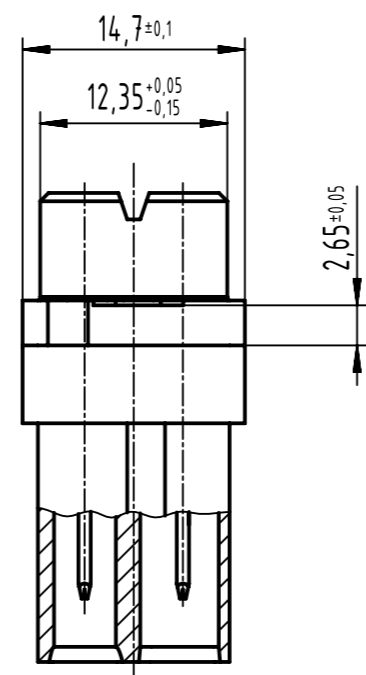
15 contacts

☒ = position with contact

☐ = position without contact

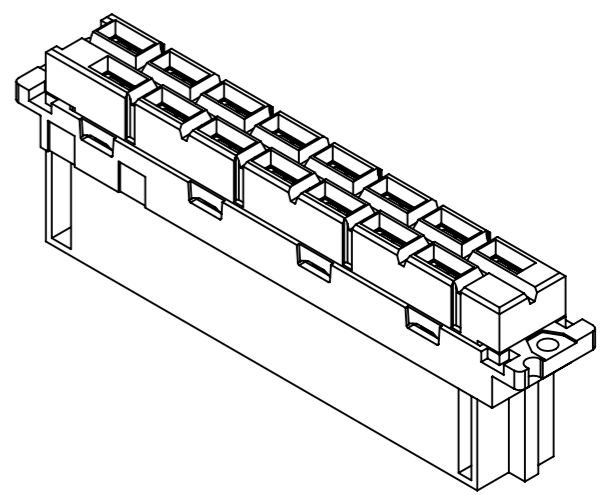


B (2:1)



further information see product data sheet
contact surface Ag

1 for faston 6,3x0,8 female contact
acc. to DIN 46245 and DIN 46247



	All Dimensions in mm Original Size DIN A3		Scale 1:1	Free size tol. complementary IEC 60603-2		Ref. Sub.	
	All rights reserved Department EL PD		Created by STORCK	Inspected by LEHNERT	Standardisation SAP_WFRT	Date 2022-03-04	State Final Release
HARTING D-32339 Espelkamp		Title DIN Power type H15 female faston along				Doc-Key / ECM-Nr. 100142035/UGD/006/C 50000021314.0	
		Type TB	Number 09062152871		Rev. C	Page 1/1	