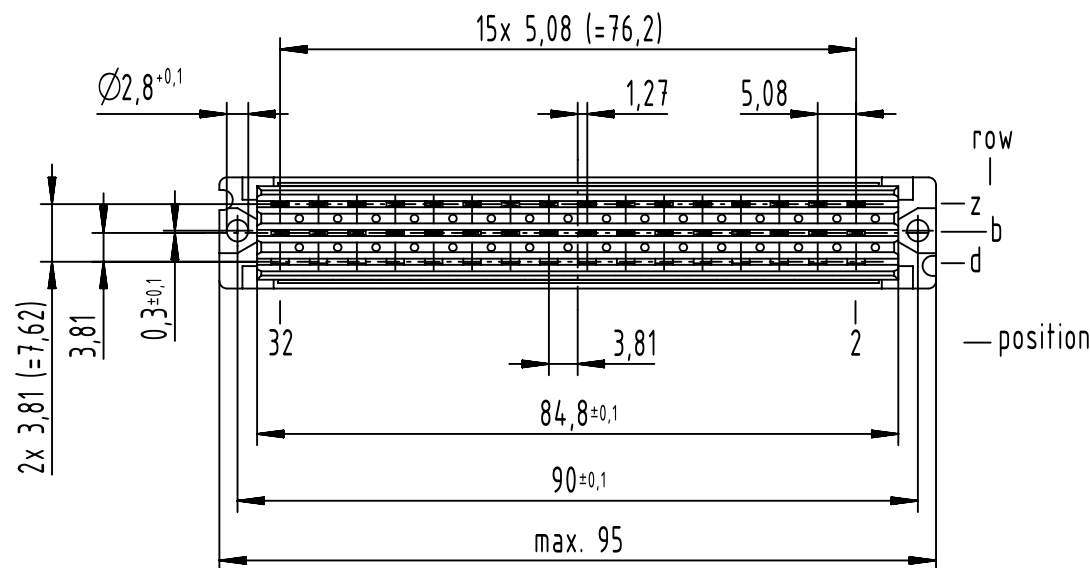
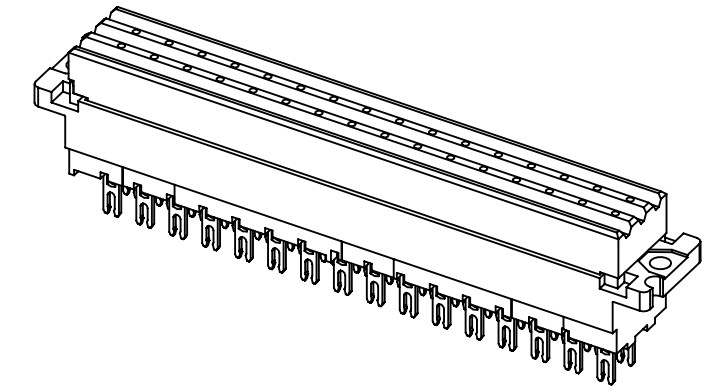
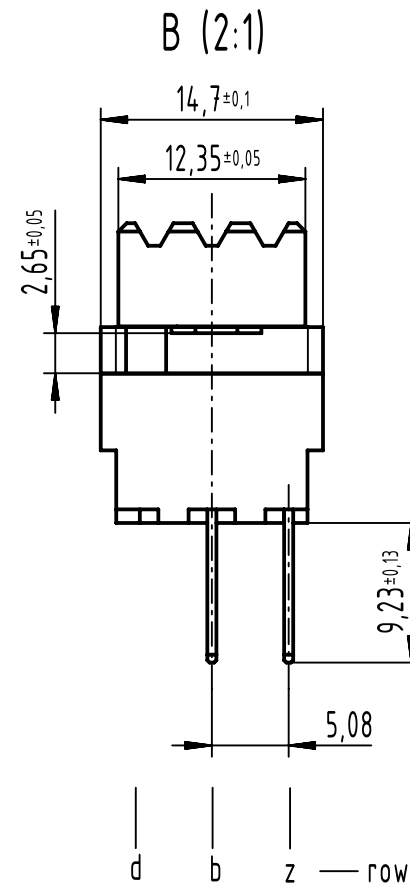
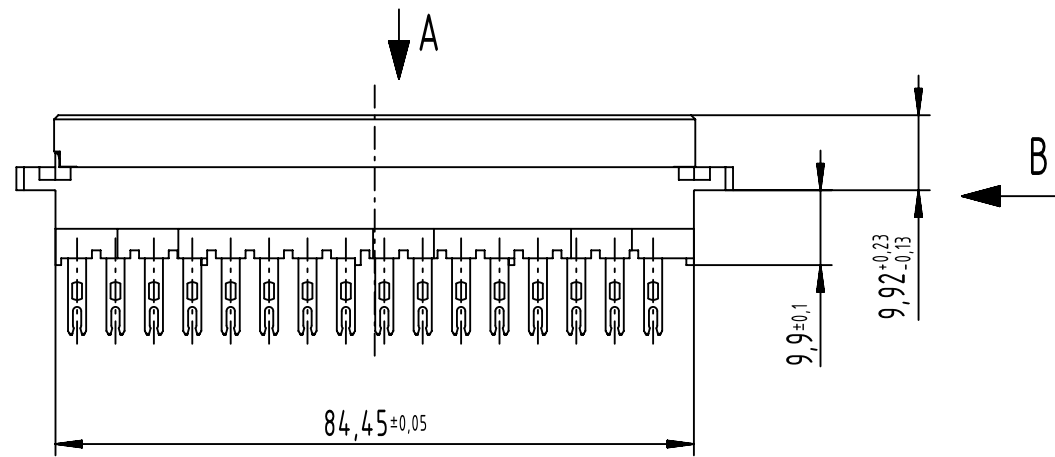


32 solder eye - contacts

- = position with contact
- = position without contact



09 06 232 7832	3
09 06 232 6832	2
09 06 232 2832	1
part no.	performance level

further information see product data sheet

	All Dimensions in mm Original Size DIN A3	Scale 1:1	Free size tol. IEC 60603-2	Ref. Sub.
	All rights reserved Department EL PD	Created by STORCK	Inspected by LEHNERT	Standardisation 302077
HARTING D-32339 Espelkamp	Title DIN Power type F female connector solder type B 32-pole			Date 2021-04-13
Type TB		Number 0906232X823		State Final Release
				Doc-Key / ECM-Nr. 100102866/UGD/016/C 500000191610
				Rev. C
				Page 1/1