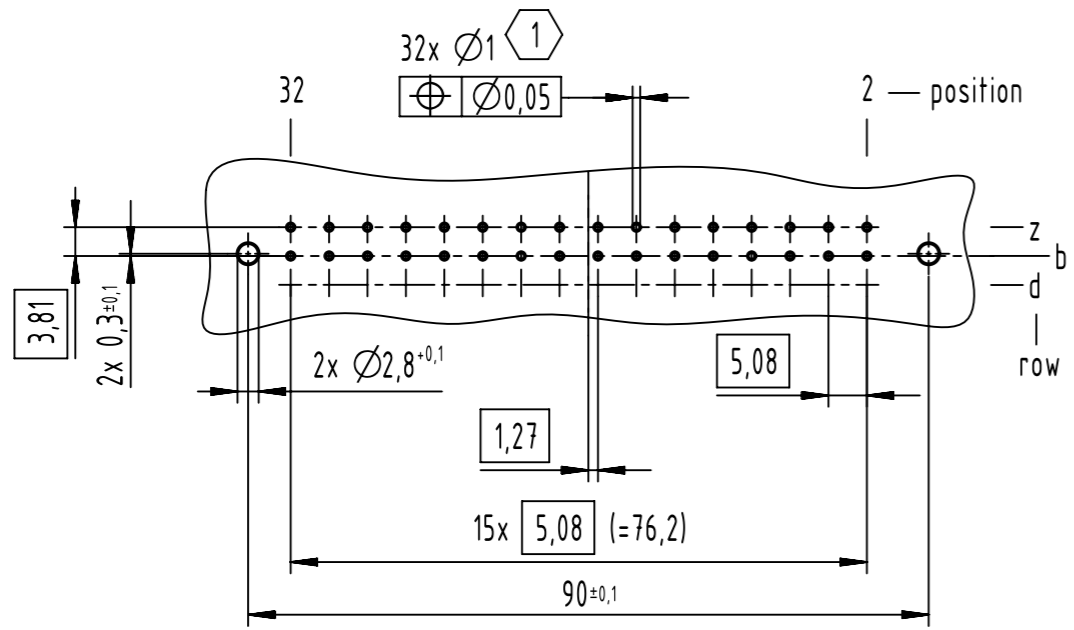


1 2 3 4 5 6 7 8

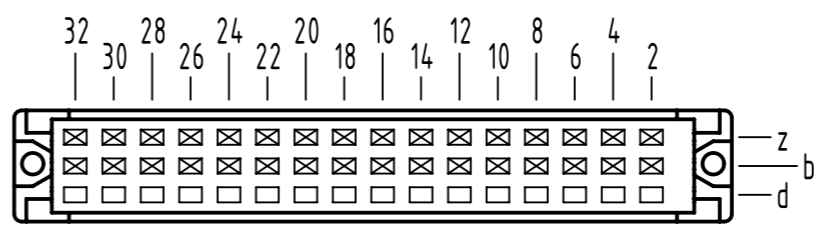
A
B
C
D
E
F

A
B
C
D
E
F

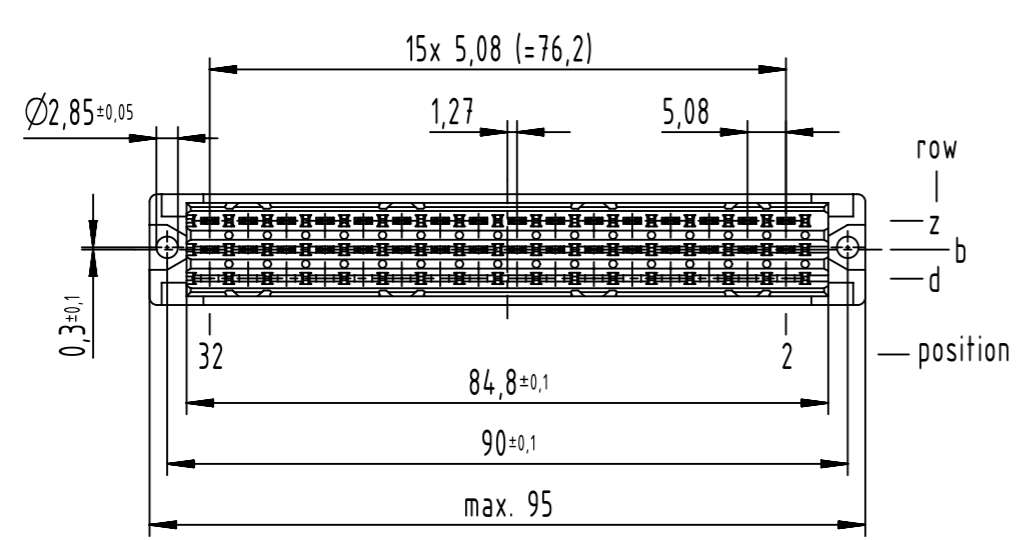
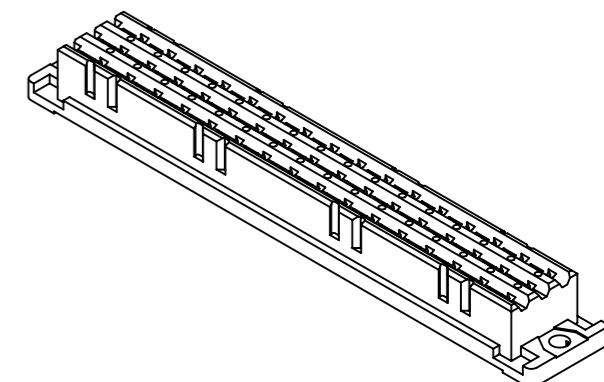
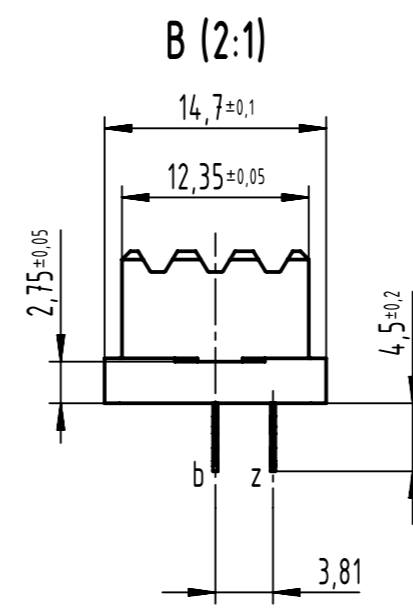
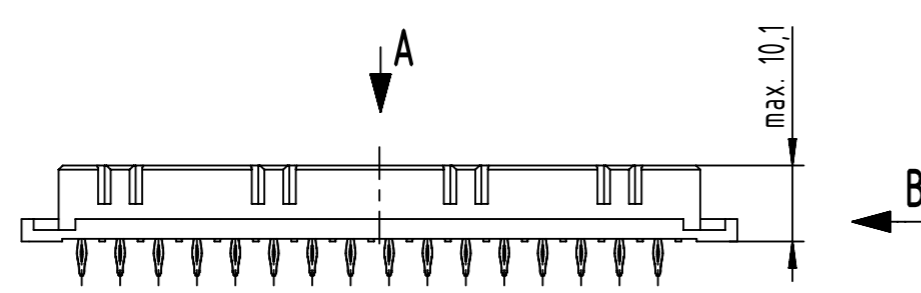
A
board drillings



A
contact arrangement



32 press-in contacts
 ☒ = position with contact
 □ = position without contact



1 recommended configuration of plated through holes and further information see product data sheet

09 06 232 6832	2
09 06 232 2832	1
part no.	performance level

All rights reserved Department EL PD HARTING D-32339 Espelkamp	All Dimensions in mm Original Size DIN A3	Scale 1:1 Free size tol. complementary IEC 60603-2	Ref. Sub.
	Created by STORCK Inspected by LEHNERT Standardisation 302077 Date 2021-06-15 State Final Release	Title DIN Power type F low-profile female press-in 4.5 Type TB Number 0906232X832	

1 2 3 4 5 6 7 8