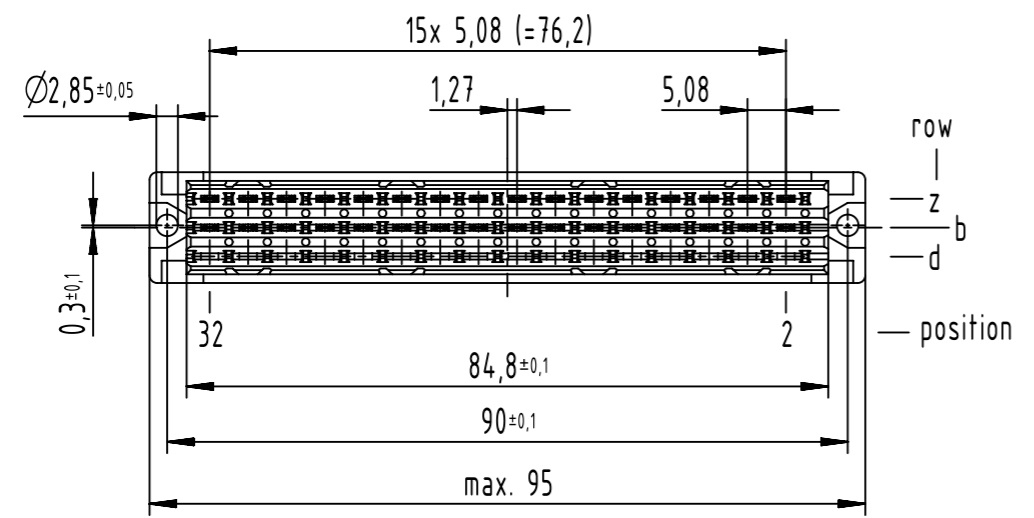
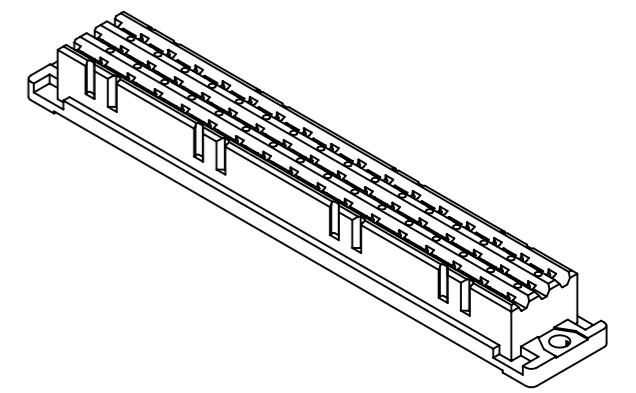
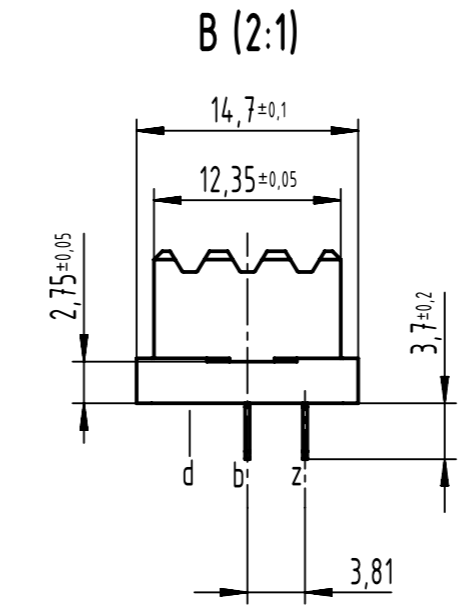
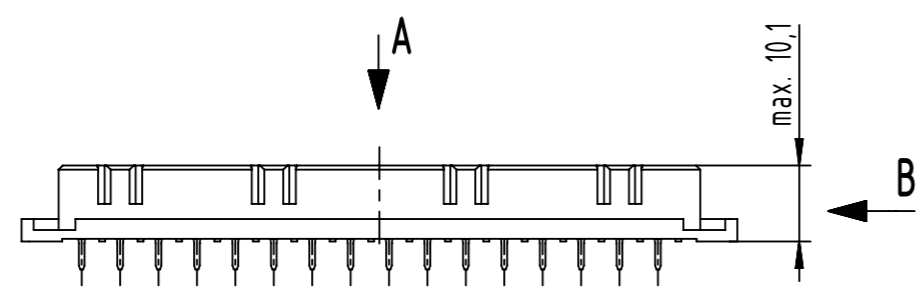


32 solder contacts
 ☒ = position with contact
 □ = position without contact



further information see product data sheet

09 06 232 6833	2
09 06 232 2833	1
part no.	performance level

	All Dimensions in mm Original Size DIN A3		Scale 1:1	Free size tol. complementary IEC 60603-2		Ref.	
	All rights reserved Department EL PD		Created by STORCK	Inspected by LEHNERT	Standardisation 302077	Date 2021-05-06	State Final Release
HARTING D-32339 Espelkamp		Title DIN Power type F low-profile female solder 3.7 32-pole				Doc-Key / ECM-Nr. 100205271/UGD/031/B 500000194417	
		Type TB	Number 0906232X833		Rev. B	Page 1/1	