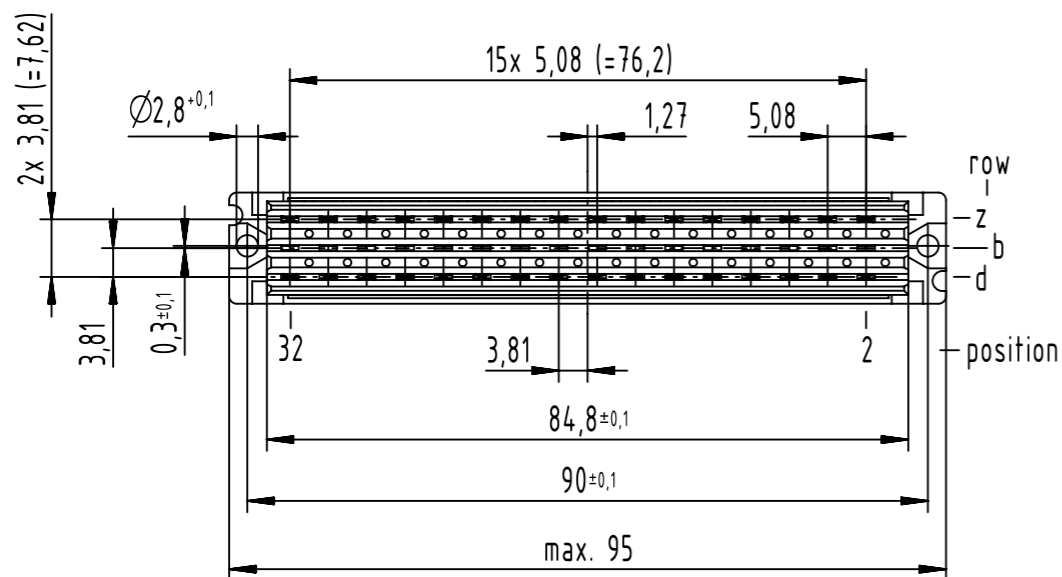
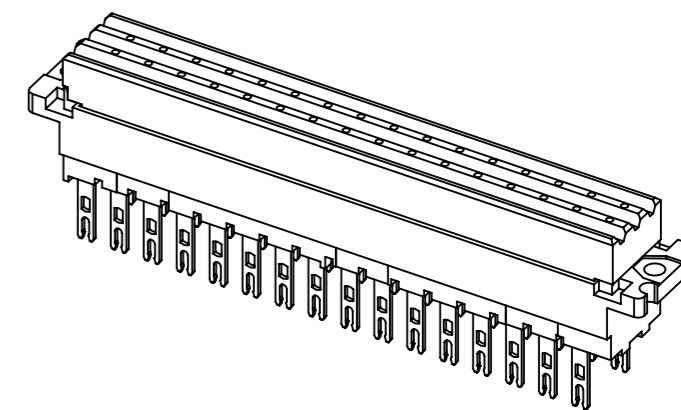
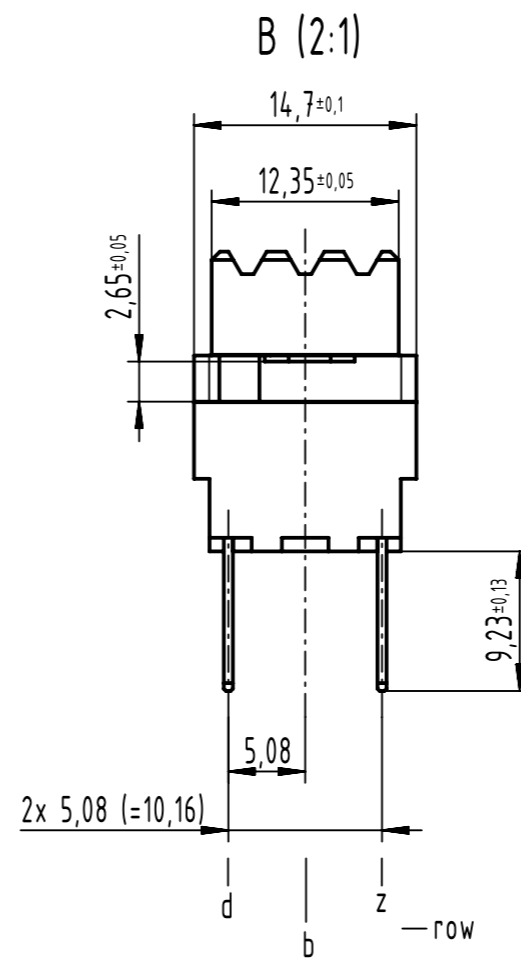
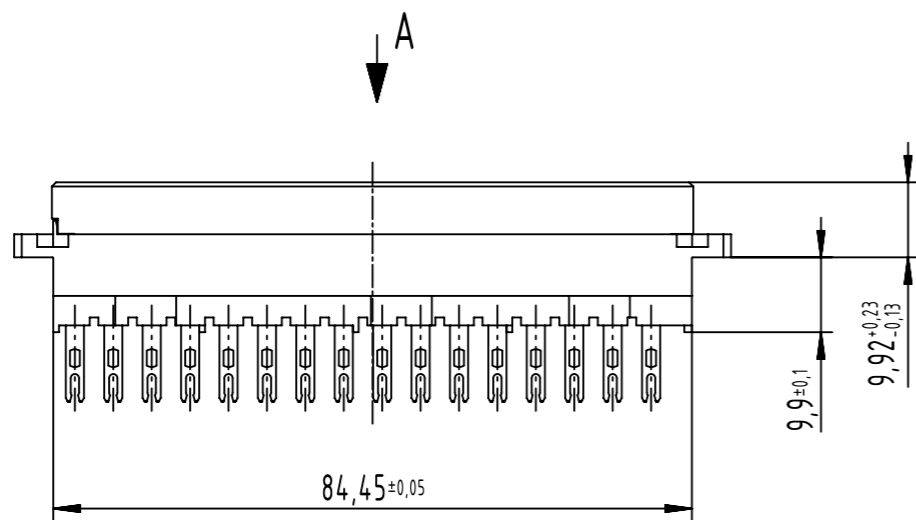


32 solder eye - contacts

■ = position with contact

□ = position without contact



further information see product data sheet

09 06 232 7843	3
09 06 232 6843	2
09 06 232 2843	1
part no.	performance level

	All Dimensions in mm Original Size DIN A3		Scale 1:1	Free size tol. IEC 60603-2		Ref.	
	All rights reserved Department EL PD		Created by STORCK	Inspected by LEHNERT	Standardisation 302077	Date 2021-04-13	State Final Release
HARTING D-32339 Espelkamp		Title DIN Power type F female connector solder type B 32-pole				Doc-Key / ECM-Nr. 100102866/UGD/018/C 500000191610	
		Type TB	Number 0906232X843			Rev. C	Page 1/1