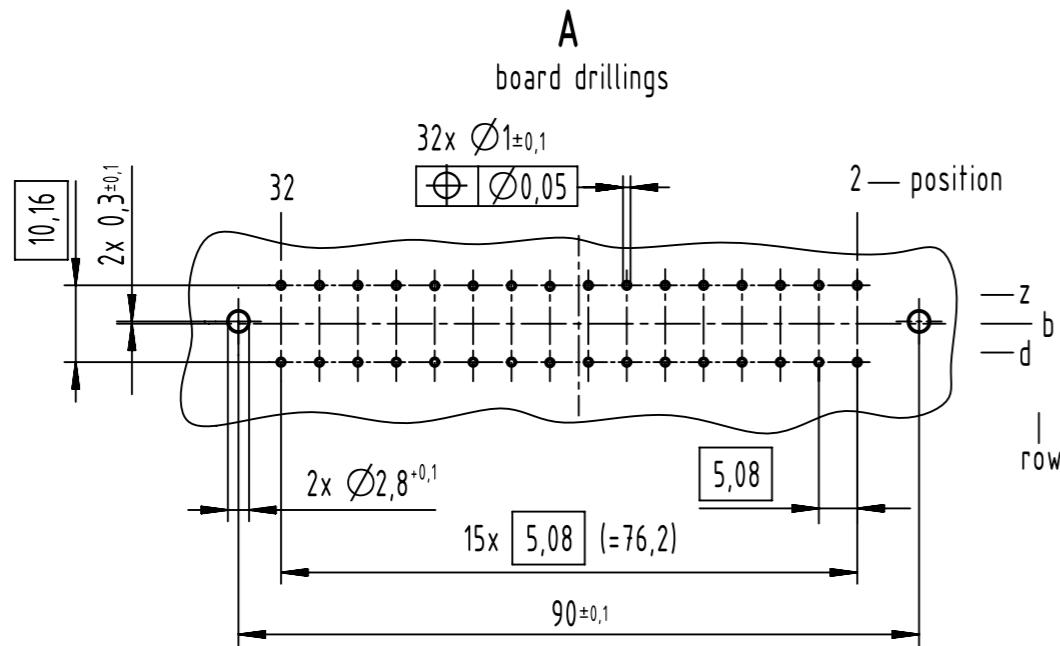


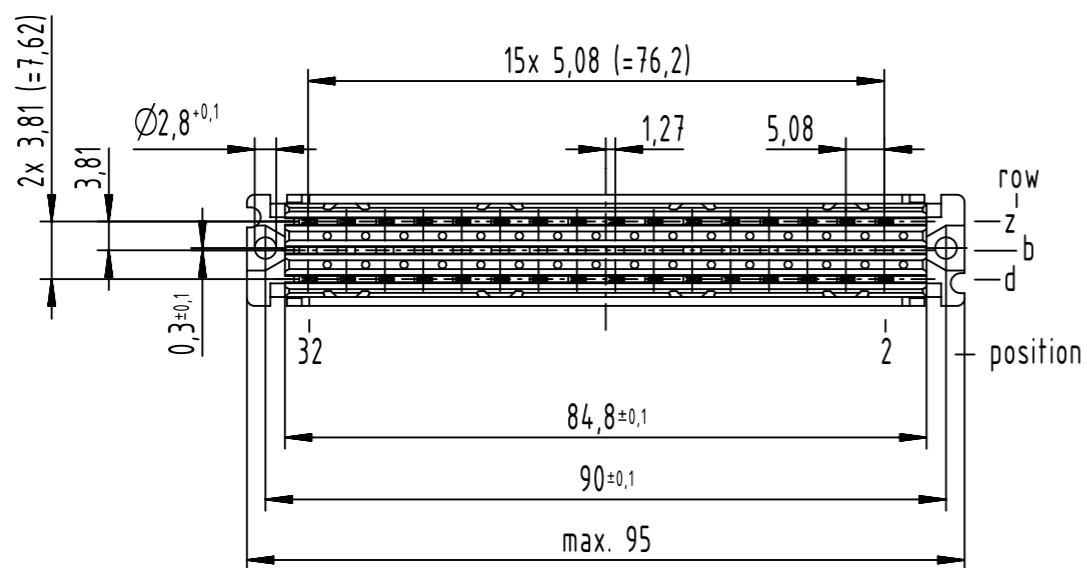
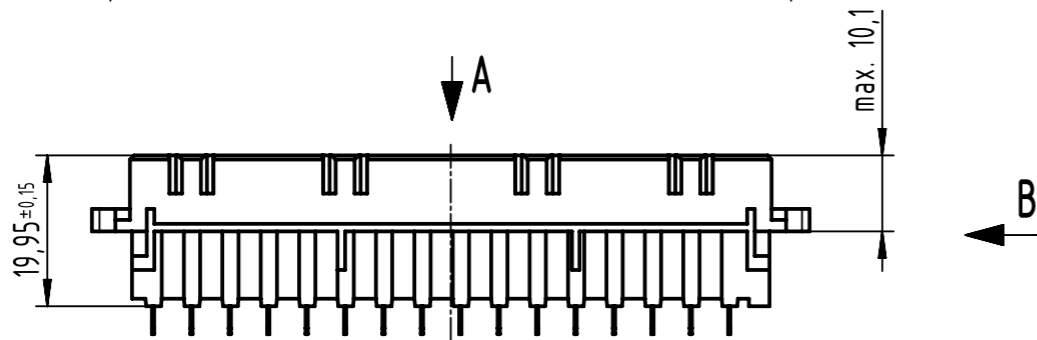
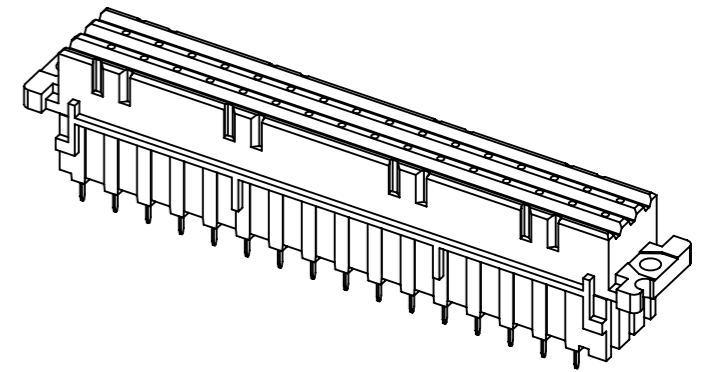
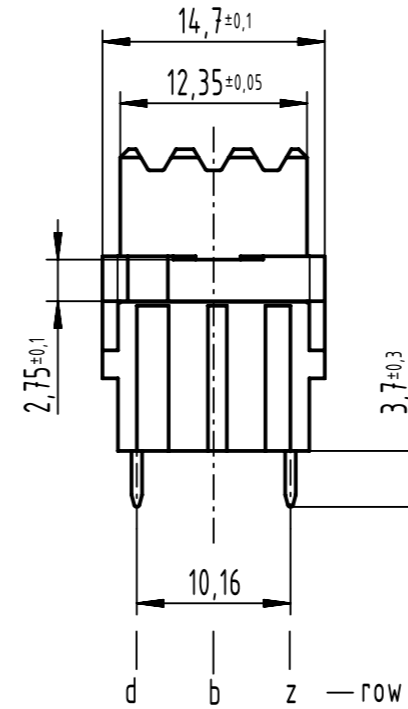
32 solder-contacts

☒ = position with contact

□ = position without contact



B (2:1)



further information see product data sheet

09 06 232 6858	2
part no.	performance level

	All Dimensions in mm Original Size DIN A3		Scale 1:1	Free size tol. IEC 60603-2		Ref.	
	All rights reserved Department EL PD		Created by STORCK	Inspected by LEHNERT	Standardisation 302077	Date 2021-05-06	State Final Release
HARTING D-32339 Espelkamp		Title DIN Power type F female solder 3.7 32-pole				Doc-Key / ECM-Nr. 100072612/UGD/009/D 500000194.417	
		Type TB	Number 0906232X858			Rev. D	Page 1/1