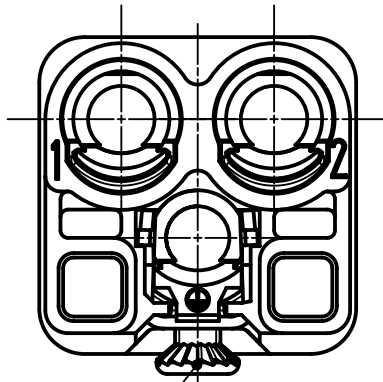
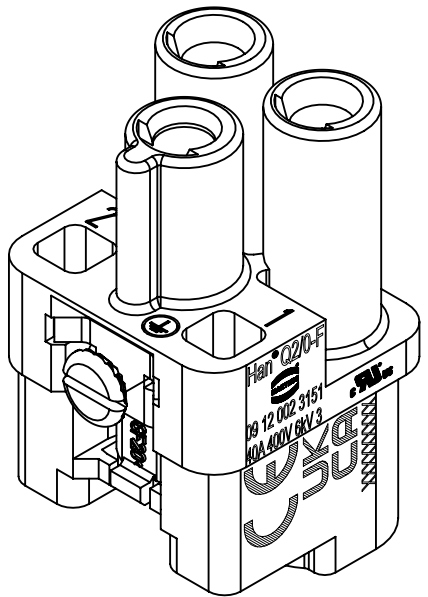
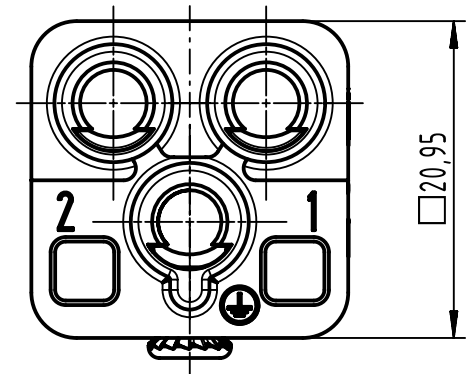
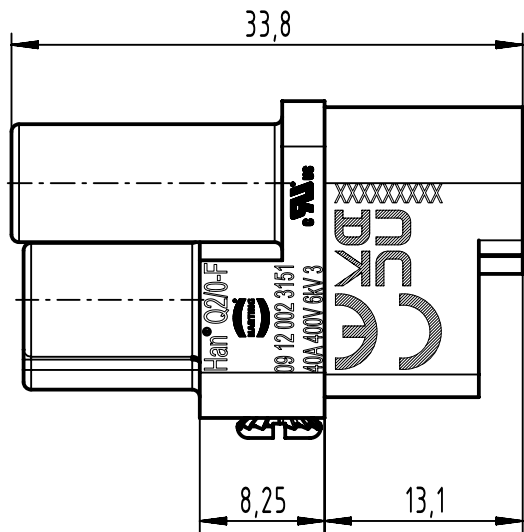


1 2 3 4 5 6

A
B
C
D



insert fixing screw
is enclosed



	All Dimensions in mm Original Size DIN A4	Scale	Free size tol.		Ref.
		2:1			Sub.
	All rights reserved Department EL PD	Created by	Inspected by	Standardisation	Date
		100887	SUNDERMEIER		2022-10-28
HARTING D-32339 Espelkamp		Title			Doc-Key / ECM-Nr. 100206618/UGD/007/B 500000225850
		Han Q 2/0-f-crimp			
		Type	Number		Page
		TB	09 12 002 3151	B	1/1