

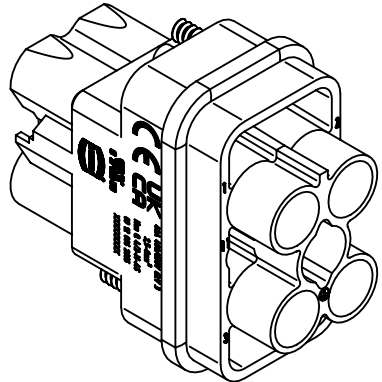
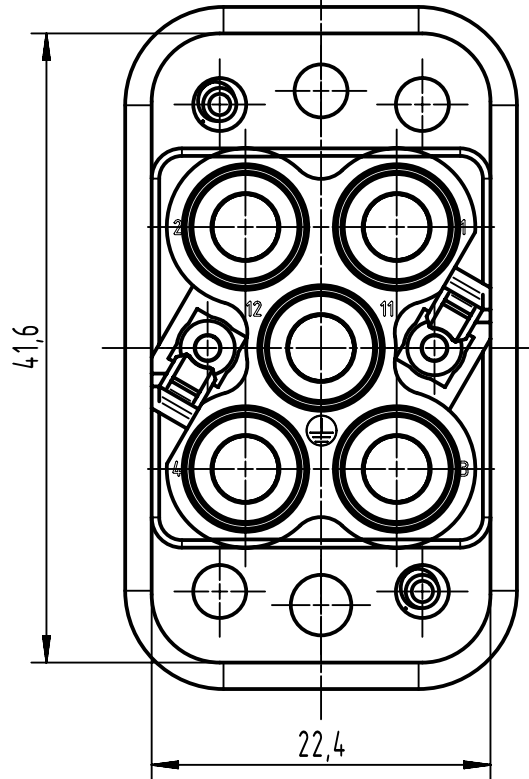
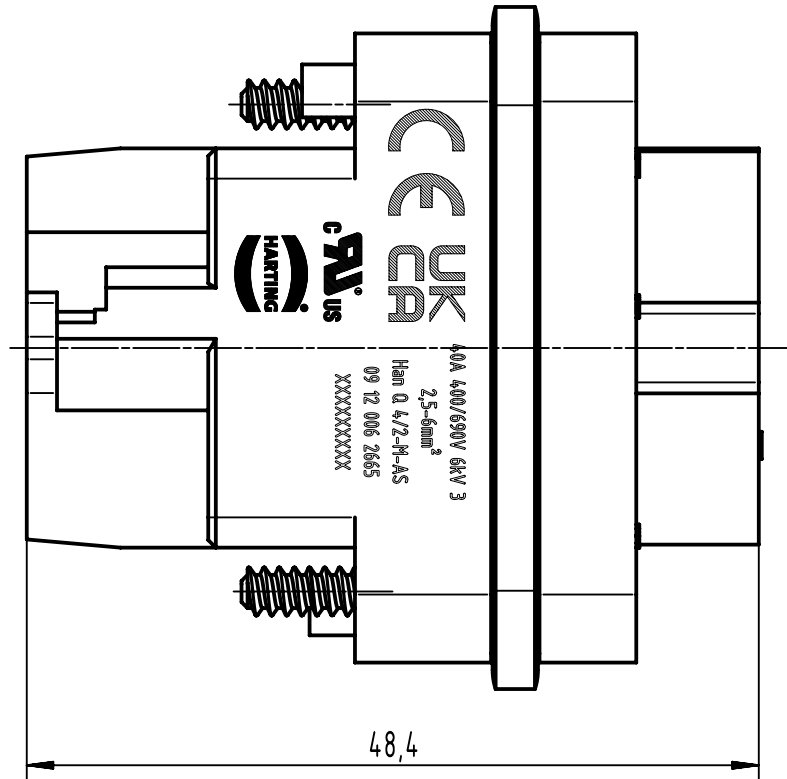
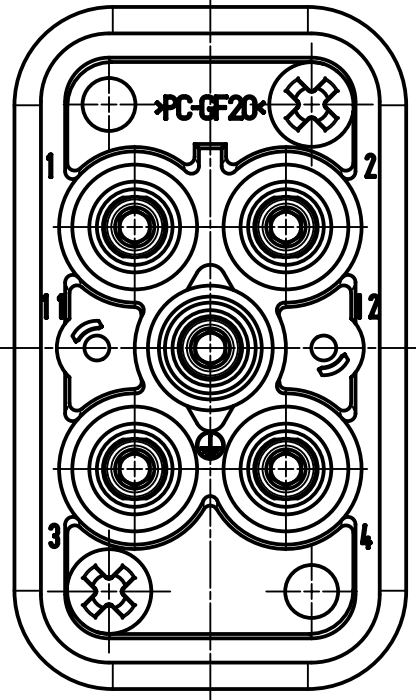
1 2 3 4 5 6

A

B

C

D



Coating	A=	mm ²	V=	mm ³	m=	g	Mat.	
	All Dimensions in mm Original Size DIN A4		Scale 2:1	Free size tol.			Ref.	
	All rights reserved		Created by 100887	Inspected by SUNDERMEIER	Standardisation	Date 2022-10-28	State Final Release	
Department EL PD		Title Han Q 4/2-M Insert AS 2,5-6mm ²					Doc-Key / ECM-Nr. 100212000/UGD/003/B 500000225850	
HARTING D-32339 Espelkamp		Type TB	Number 09 12 006 2665			Rev. B	Page 1/1	