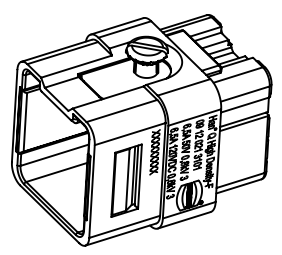
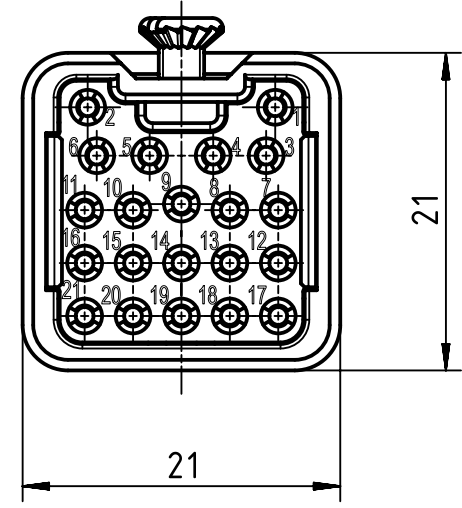


countersunk screw M3x6,
enclosed separately



preleading contact number 9

	All Dimensions in mm Original Size DIN A4	Scale 1:1		Free size tol.		Ref.		
		Created by SPRENB		Inspected by RIEPE		Standardisation GARSKE		Date 2019-05-15
	All rights reserved		State Final Release		Doc-Key / ECM-Nr. 100220798/UGD/002/E 500000151709		Page 1/1	
	Department EL PD		Title Han Q High Density - female insert		Rev. E		Number 09 12 021 3101	
HARTING Electric GmbH & Co. KG		Type TB		D-32339 Espelkamp				