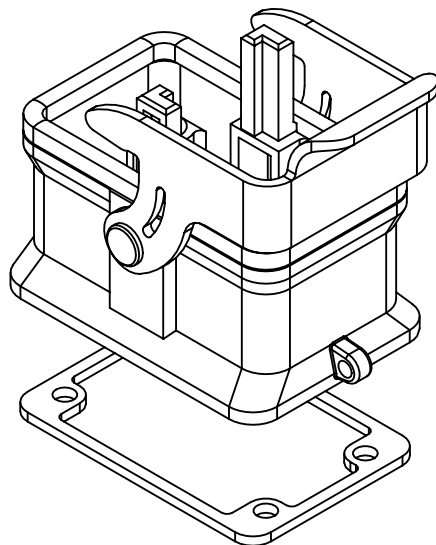
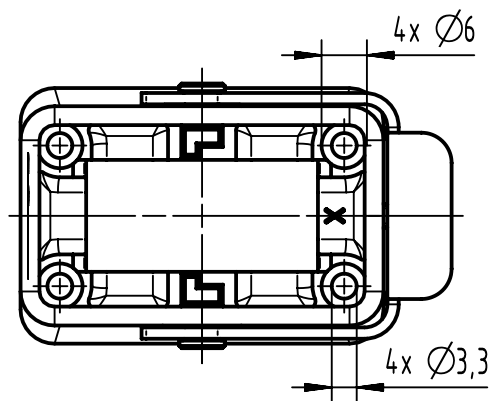


gasket is enclosed separately



	All Dimensions in mm Original Size DIN A4	Scale 1:1		Free size tol.		Ref.	
						Sub.	
	All rights reserved Department EL PD	Created by CELMARE	Inspected by PRIESTER	Standardisation		Date 2023-08-30	State Final Release
		Title Han 1Mod-agg-M					Doc-Key / ECM-Nr. 100203573/UGD/004/E 500000247383
HARTING D-32339 Espelkamp		Type TB	Number 09 14 001 0301			Rev. E	Page 1/1