

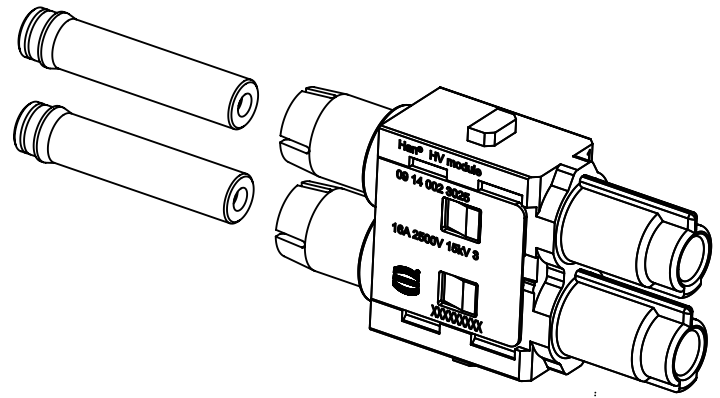
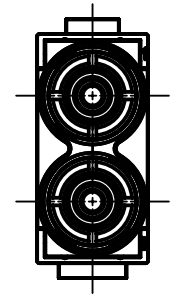
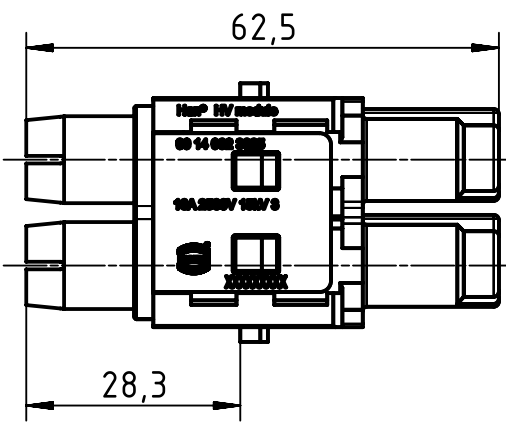
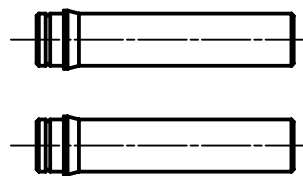
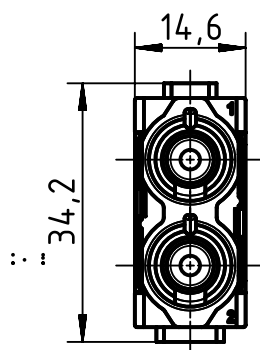
1 2 3 4 5 6

A

B

C

D



| | | | | | | | |
|---|--|---|--------------------------|-----------------------------|-----------------------------|--|------------------------|
| | All Dimensions in mm Original Size DIN A4 | | Scale 1:1 | Free size tol. | | Ref. Sub. TB 09 14 002 3025 v. 04.08.11 | |
| | | All rights reserved | Created by SPRENB | Inspected by NICHTERLEIN | Standardisation SCHMIDTM | Date 2018-09-06 | State Final Release |
| Department EL PD | | Title Han HV single module, 16A 2500V male | | | | Doc-Key / ECM-Nr. 100213217/UGD/005/A 500000139331 | |
| HARTING Electric GmbH & Co. KG D-32339 Espelkamp | | Type TB | Number 09 14 002 3025 | | | Rev. A | Page 1/1 |