

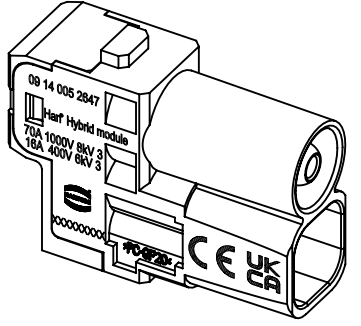
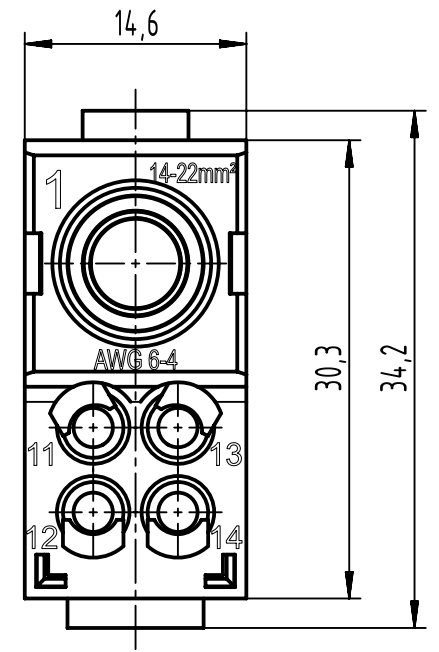
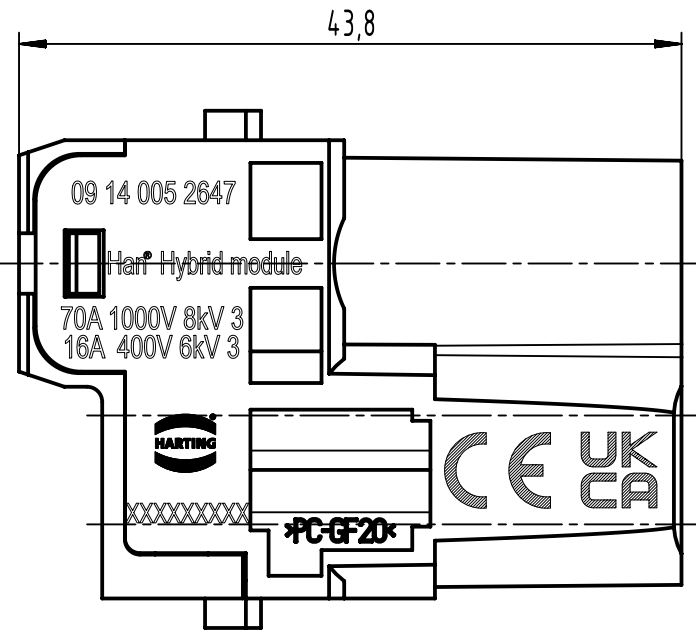
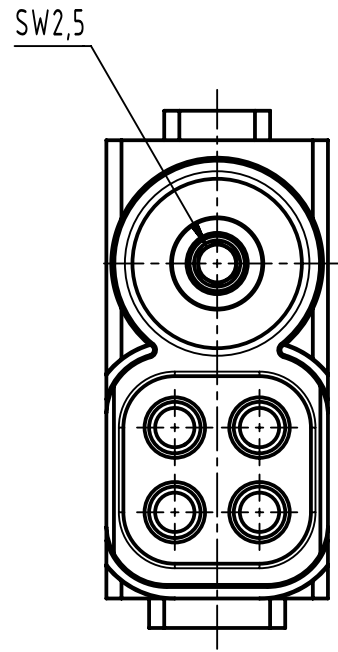
1 2 3 4 5 6

A

B

C

D



for stranded wire 14-22 mm<sup>2</sup>, AWG 6-4, fine wire

	All Dimensions in mm Original Size DIN A4		Scale 2:1	Free size tol.		Ref.	
						Sub.	
	All rights reserved		Created by HOLLERT	Inspected by SUNDERMEIER	Standardisation	Date 2023-01-11	State Final Release
	Department EL PD		Title Han 70A Hybrid module, male 14-22mm <sup>2</sup>				Doc-Key / ECM-Nr. 100201476/UGD/003/A 500000233989
HARTING D-32339 Espelkamp		Type TB	Number 09 14 005 2647			Rev. A	Page 1/1