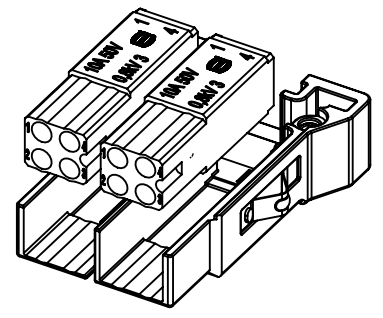


arrangement without cover

delivery in partly assembled parts  
and individual parts

Pin	Wiring acc. to	
	EIA/TIA 568A	EIA/TIA 568B
1A	white/green	white/orange
2A	white/orange	white/green
3A	green	orange
4A	orange	green
1B	white/blue	white/blue
2B	white/brown	white/brown
3B	blue	blue
4B	brown	brown



	All rights reserved Department EL PD	All Dimensions in mm Original Size DIN A4	Scale 2:1	Free size tol.	Ref. Sub.	
	HARTING D-32339 Espelkamp	Created by SPRENB	Inspected by RIEPE	Standardisation	Date 2024-03-04	State Final Release
Title Han Megabit insert female 1 Entry, (GND)					Doc-Key / ECM-Nr. 100611395/UGD/002/H 500000263793	
Type TB			Number 09 14 008 3122		Rev. H	Page 1/1