

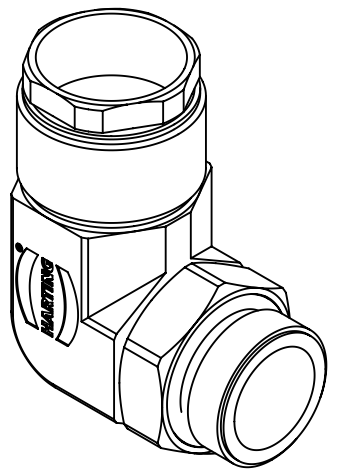
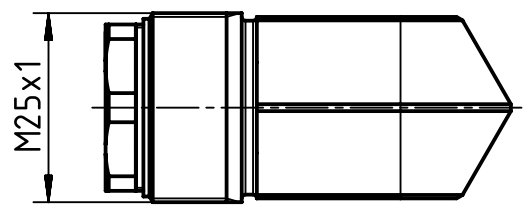
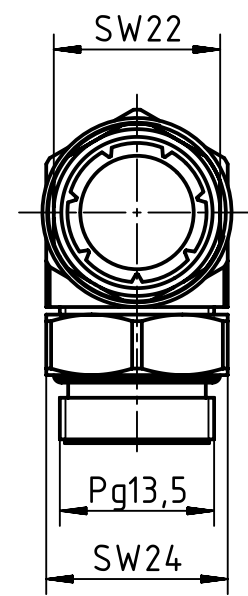
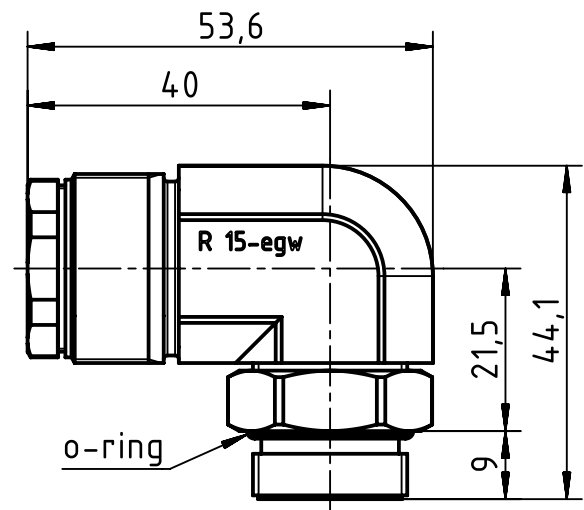
1 2 3 4 5 6

A

B

C

D



	All Dimensions in mm Original Size DIN A4	Scale 1:1		Free size tol.		Ref.	
						Sub.	
	All rights reserved Department EL PD - DE	Created by	Inspected by	Standardisation	Date	State	
		KLASSEN P	BERGHORN	TIEMANNA	2017-02-28	Final Release	
HARTING Electric GmbH & Co. KG D-32339 Espelkamp		Title R 15-EGW-13,5				Doc-Key / ECM-Nr. 100110092/UGD/005/A 500000116211	
		Type TB	Number 09 15 000 0102			Rev. A	Page 1/1