

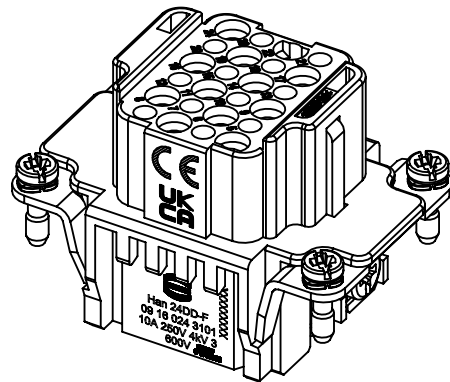
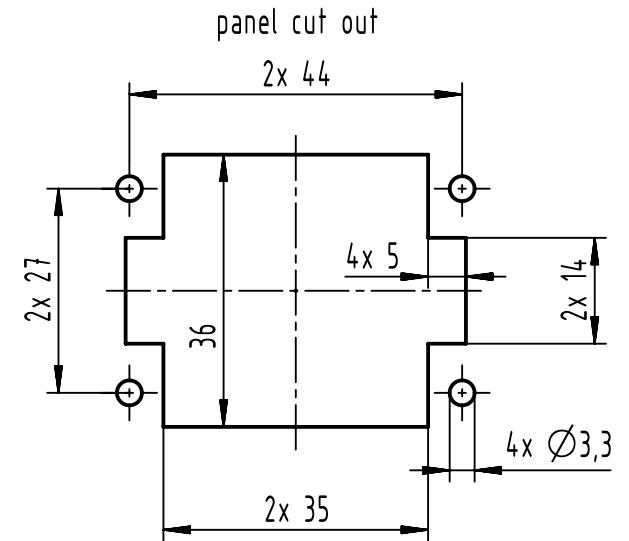
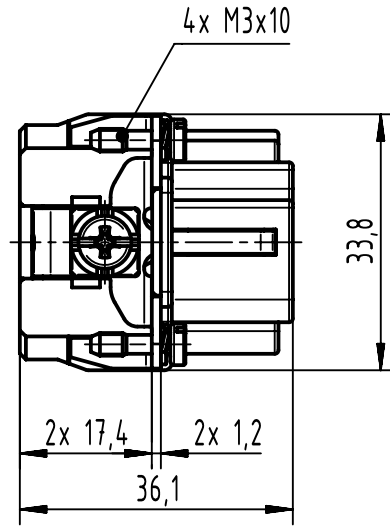
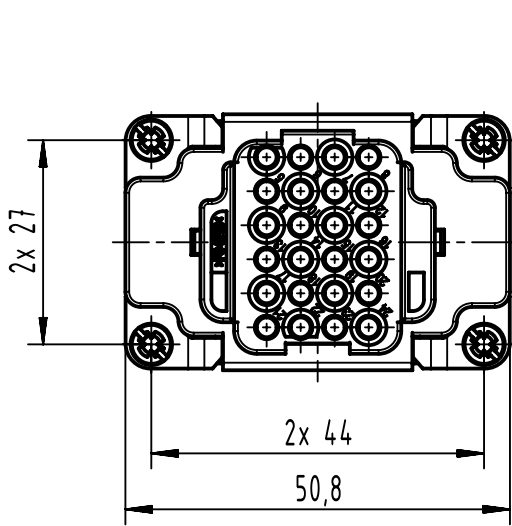
1 2 3 4 5 6

A

B

C

D



	All Dimensions in mm Original Size DIN A4		Scale 1:1	Free size tol.		Ref.	
						Sub.	
	All rights reserved		Created by BALSAN	Inspected by 402602	Standardisation	Date 2023-03-31	
	Department EL PD		Title Han DD 24 POS. F CRIMP INSERT			State Final Release	
HARTING D-32339 Espelkamp			Type TB	Number 09 16 024 3101		Doc-Key / ECM-Nr. 100216913/UGD/005/H 500000241065	
						Rev. H	Page 1/1