

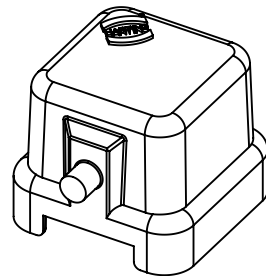
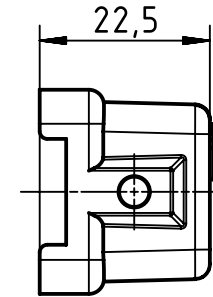
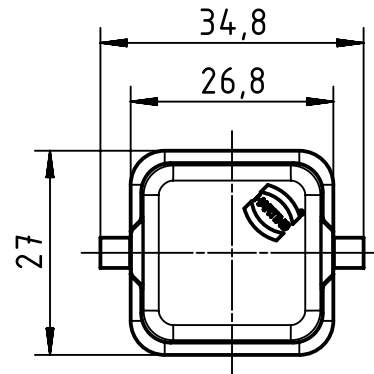
1 2 3 4 5 6

A

B

C

D



for housings with fitted male insert

	All rights reserved Department EL PD	Created by RULLKOETTER		Inspected by SCHNIEDER		Standardisation RUETERA		Date 2018-10-11		State Final Release	
		Title Han 3A-AK KAPPE OBEN GLATT								Doc-Key / ECM-Nr. 100805553/UGD/000/A 50000014.0953	
HARTING Electric GmbH & Co. KG D-32339 Espelkamp		Type TB		Number 09 20 003 5407				Rev. A		Page 1/1	
 All Dimensions in mm Original Size DIN A4		Scale 1:1		Free size tol.				Ref. Sub. TB 09 20 003 5407 v. 06.04.95			