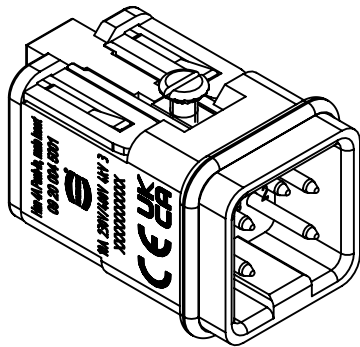
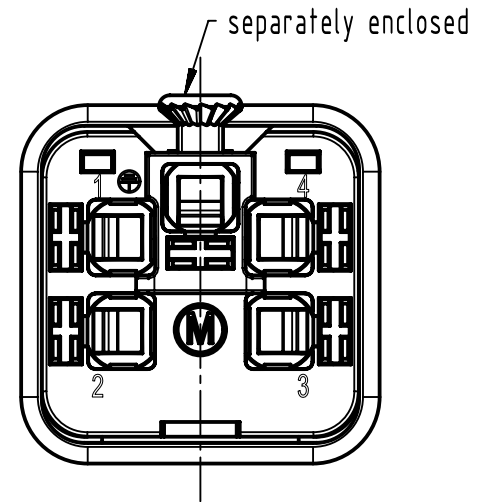
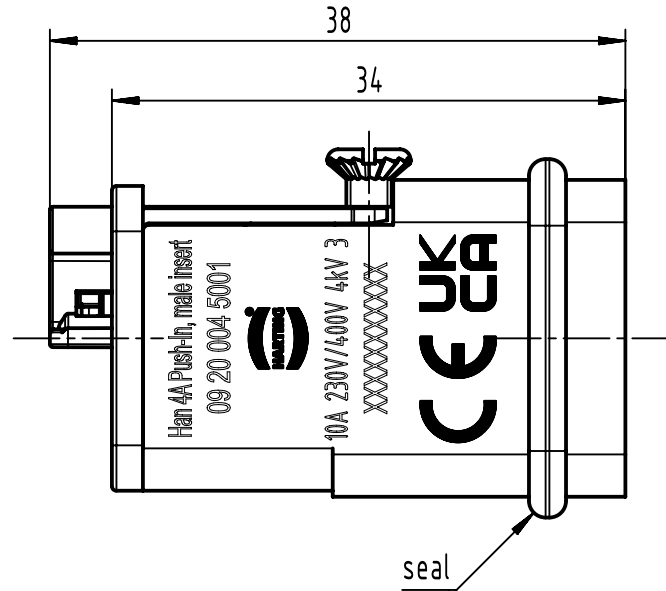
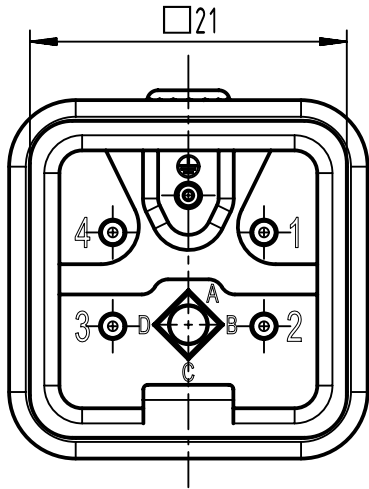


1 2 3 4 5 6

A
B
C
D



	All Dimensions in mm Original Size DIN A4	Scale 2:1		Free size tol.		Ref.			
		Created by HUK		Inspected by WANGSTE		Date 2024-03-15		Sub.	
	All rights reserved		Standardisation ROEBEN		State Final Release		Doc-Key / ECM-Nr.		
	Department EL PD		Title Han 4A Push-In, male insert		Date 2024-03-15		10104.0033/UGD/001/C		
HARTING		Type TB		Number 09 20 004 5001		Rev. C		Page 1/1	
D-32339 Espelkamp									