

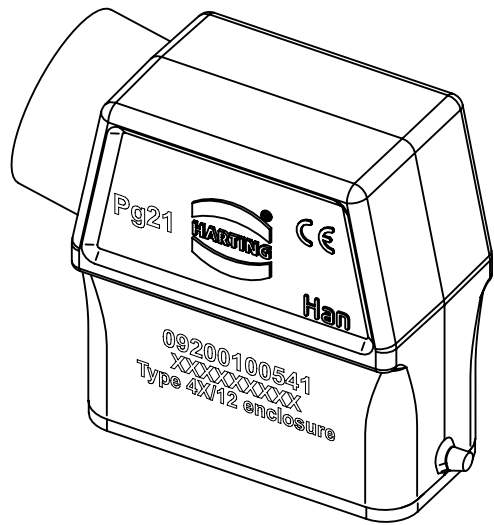
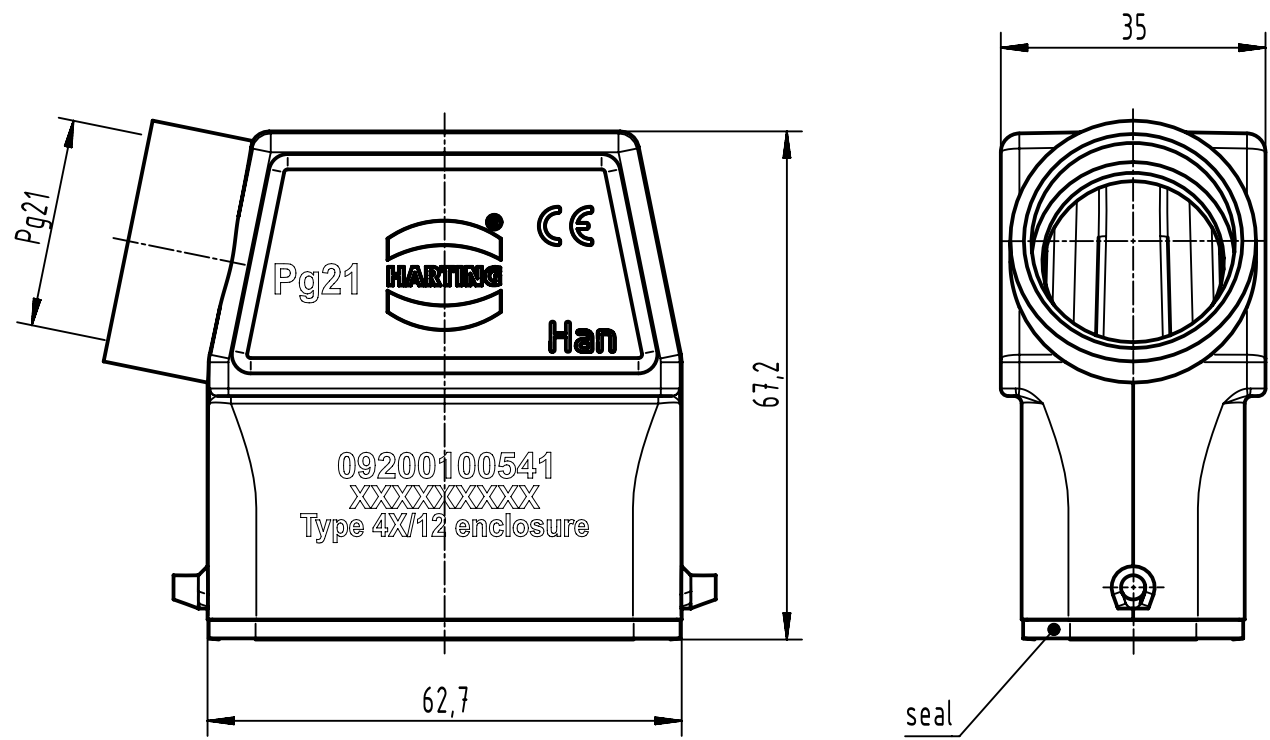
1 2 3 4 5 6

A

B

C

D



	All Dimensions in mm Original Size DIN A4	Scale	Free size tol.		Ref.	
		1:1			Sub.	
	All rights reserved Department EL PD	Created by	Inspected by	Standardisation	Date	State
		SPRENB	GERB		2021-07-16	Final Release
HARTING D-32339 Espelkamp		Title Han 10A-HSE-HC-for SL-Pg21			Doc-Key / ECM-Nr. 100189405/UGD/004/D 500000191659	
		Type	Number	Rev.	Page	
		TB	09 20 010 0541	D	1/1	