

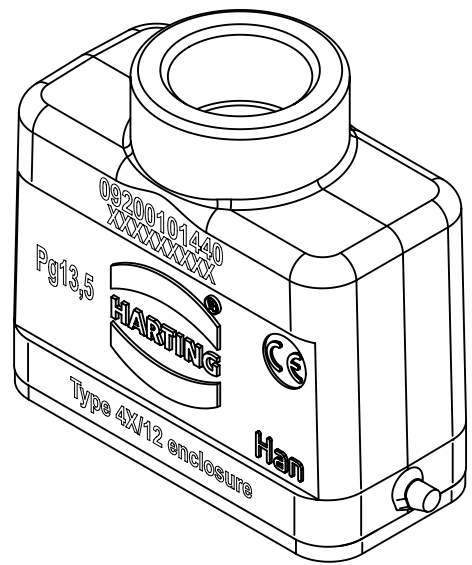
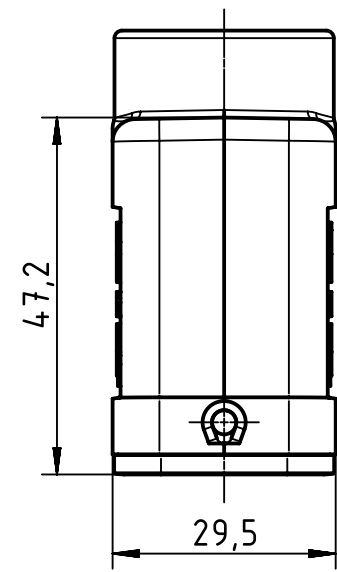
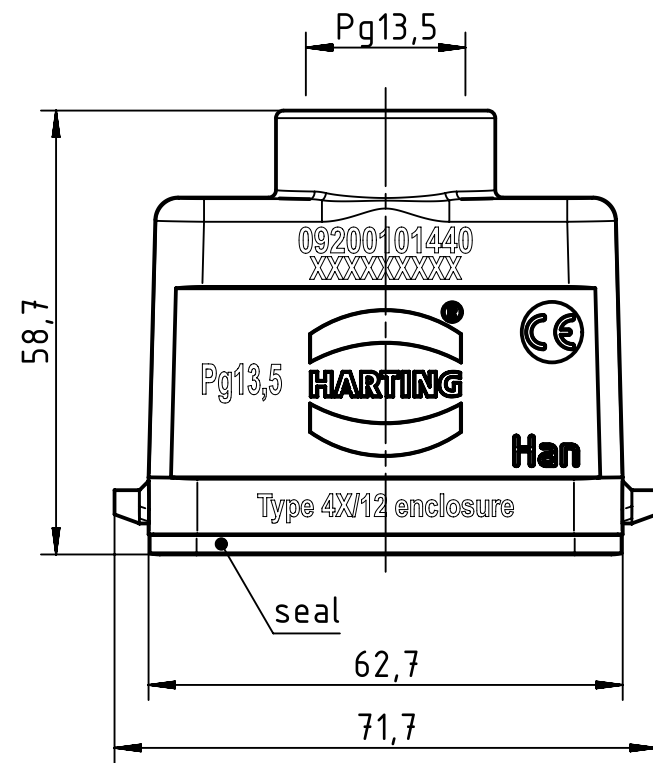
1 2 3 4 5 6

A

B

C

D



	All Dimensions in mm Original Size DIN A4		Scale 1:1	Free size tol.		Ref.		
						Sub.		
	All rights reserved		Created by HELLMANN	Inspected by GERB	Standardisation GARSKE	Date 2019-11-25	State Final Release	
	Department EL PD		Title Han 10A-GG-13,5				Doc-Key / ECM-Nr. 100110630/UGD/005/C 500000161399	
HARTING Electric GmbH & Co. KG D-32339 Espelkamp			Type TB	Number 09 20 010 1440			Rev. C	Page 1/1