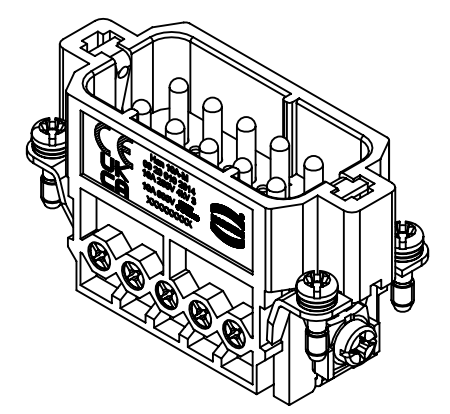
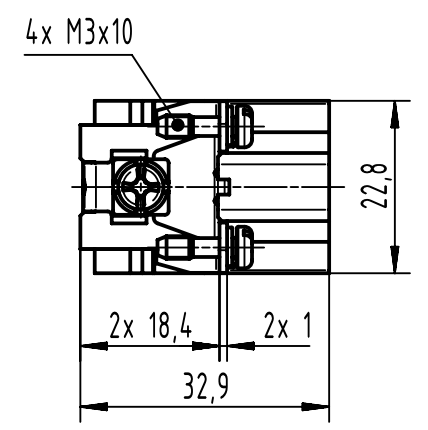
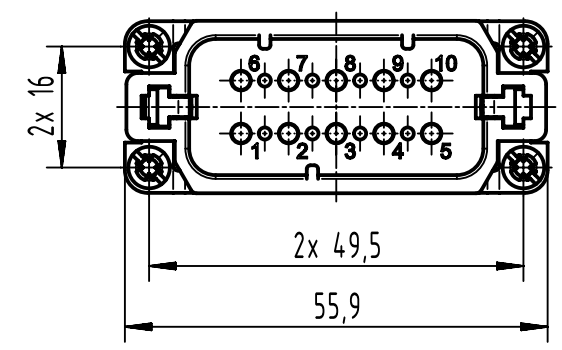
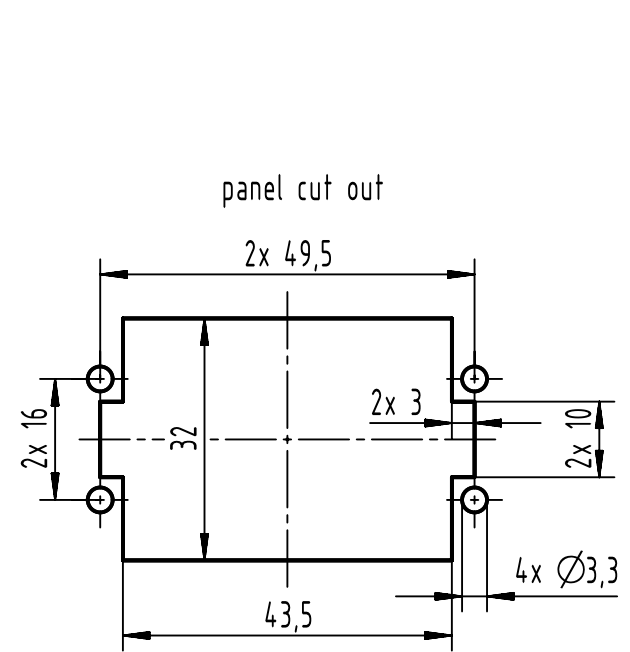


1 2 3 4 5 6



	All rights reserved Department EL PD	All Dimensions in mm Original Size DIN A4		Scale 1:1	Free size tol.	Ref.
		Created by BALSAN	Inspected by 402602	Standardisation	Date 2023-06-21	State Final Release
HARTING D-32339 Espelkamp		Title Han 10A-M-S, w. Wire Protection			Doc-Key / ECM-Nr. 100198994/UGD/002/E 500000237470	
		Type TB	Number 09 20 010 2614		Rev. E	Page 1/1