

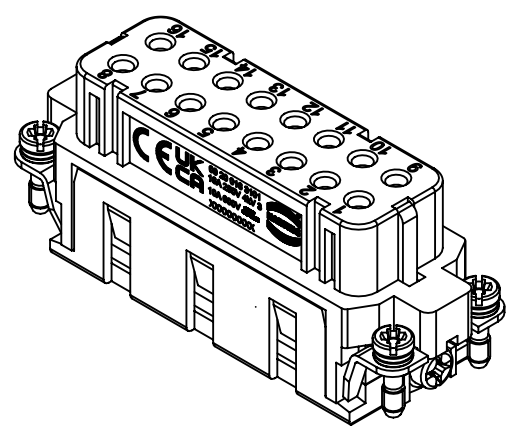
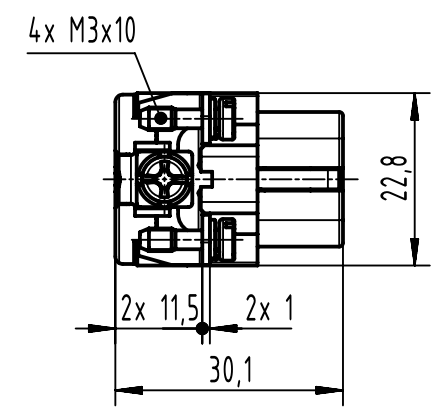
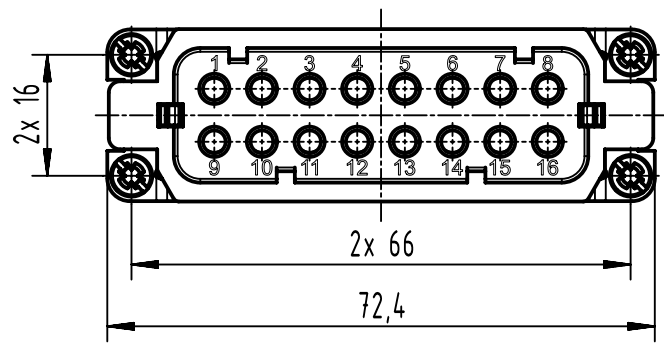
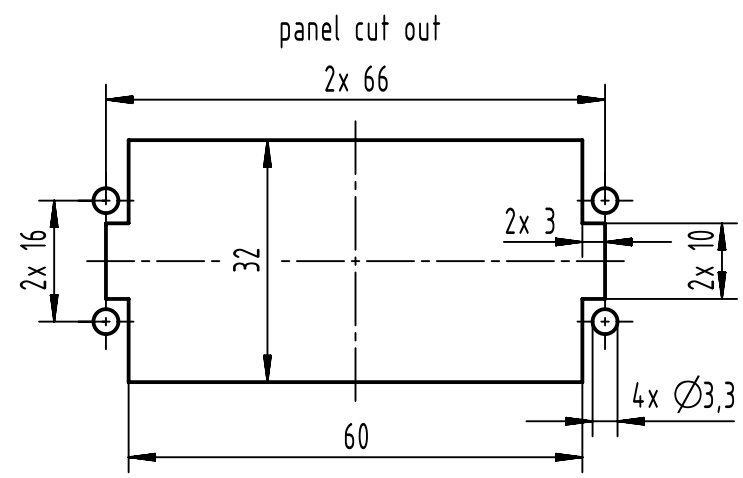
1 2 3 4 5 6

A

B

C

D



	All rights reserved Department EL PD	All Dimensions in mm Original Size DIN A4		Scale 1:1	Free size tol.	Ref.
		Created by 404440	Inspected by 402602	Standardisation	Date 2024-01-22	State Final Release
HARTING D-32339 Espelkamp		Title Han 16A-BU-C			Doc-Key / ECM-Nr. 100087332/UGD/012/F 500000262353	
		Type TB	Number 09 20 016 3101		Rev. F	Page 1/1