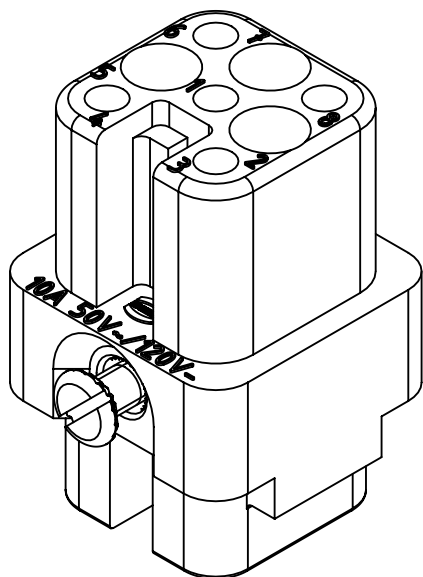
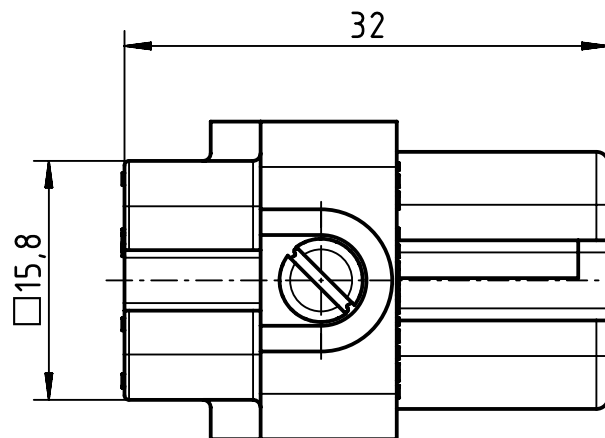
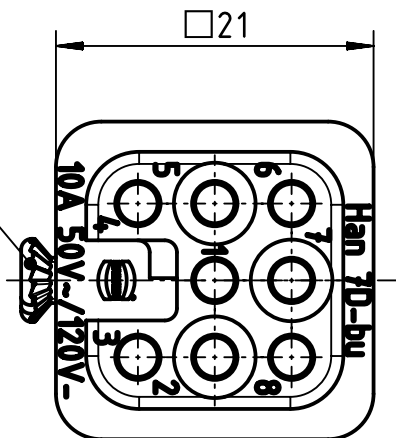
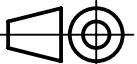



insert fixing screw  
enclosed separately



	All Dimensions in mm Original Size DIN A4		Scale 2:1	Free size tol.		Ref.		
			Created by 100887	Inspected by SCHNIEDER	Standardisation	Date 2021-11-24	State Final Release	
All rights reserved Department EL PD		Title Han D 7 Pos. F Insert Crimp Terminal					Doc-Key / ECM-Nr. 100127526/UGD/005/B 500000206510	
HARTING D-32339 Espelkamp		Type TB	Number 09 21 007 3101			Rev. B	Page 1/1	