

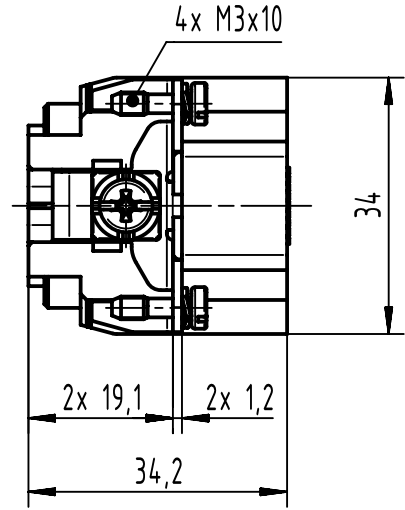
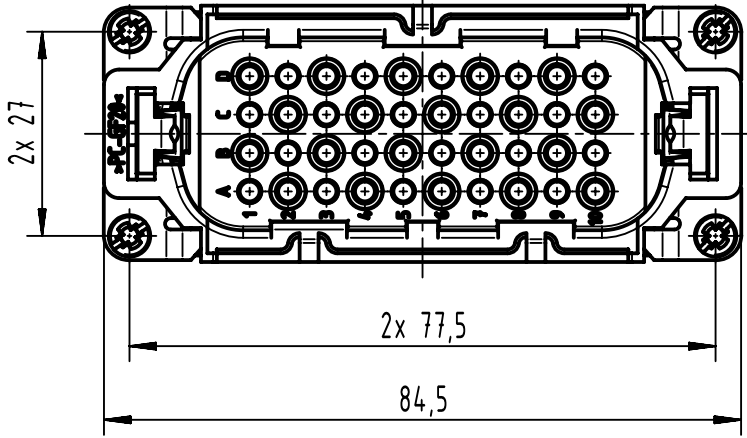
A

B

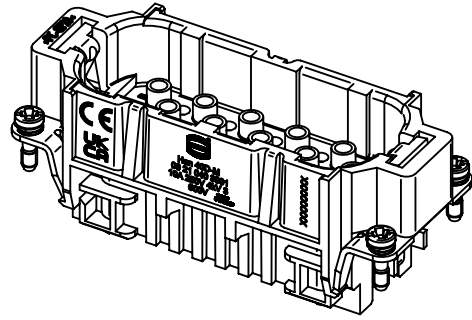
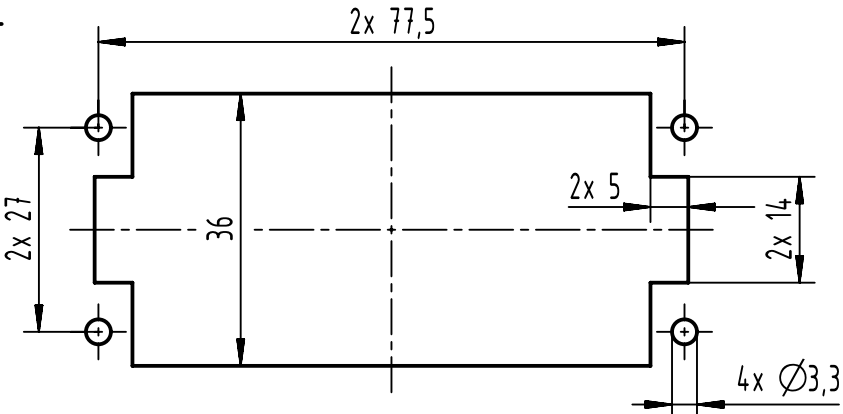
C


D

1 2 3 4 5 6



panel cut out



	All rights reserved		Scale 1:1		Free size tol.		Ref.		
	Department EL PD		Created by BALSAN	Inspected by 402602	Standardisation SAP_WFRT	Date 2022-08-25	State Final Release		
HARTING			Title Han D 40 Pos. M Insert Crimp				Doc-Key / ECM-Nr. 100179628/UGD/004/C 500000224.182		
D-32339 Espelkamp			Type TB	Number 09 21 040 3001			Rev. C	Page 1/1	