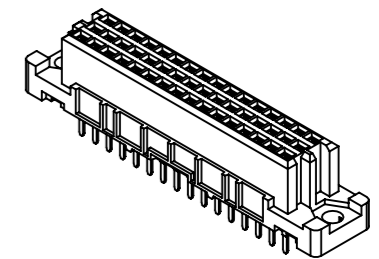
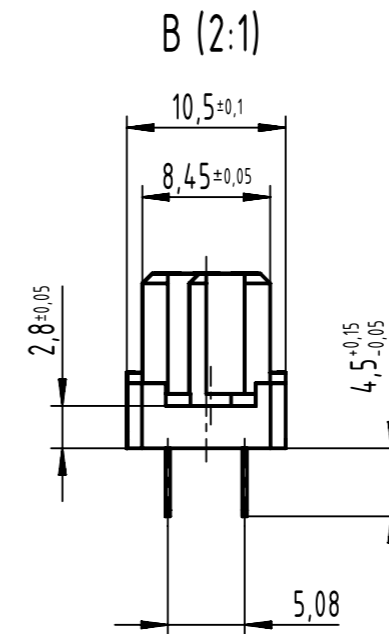
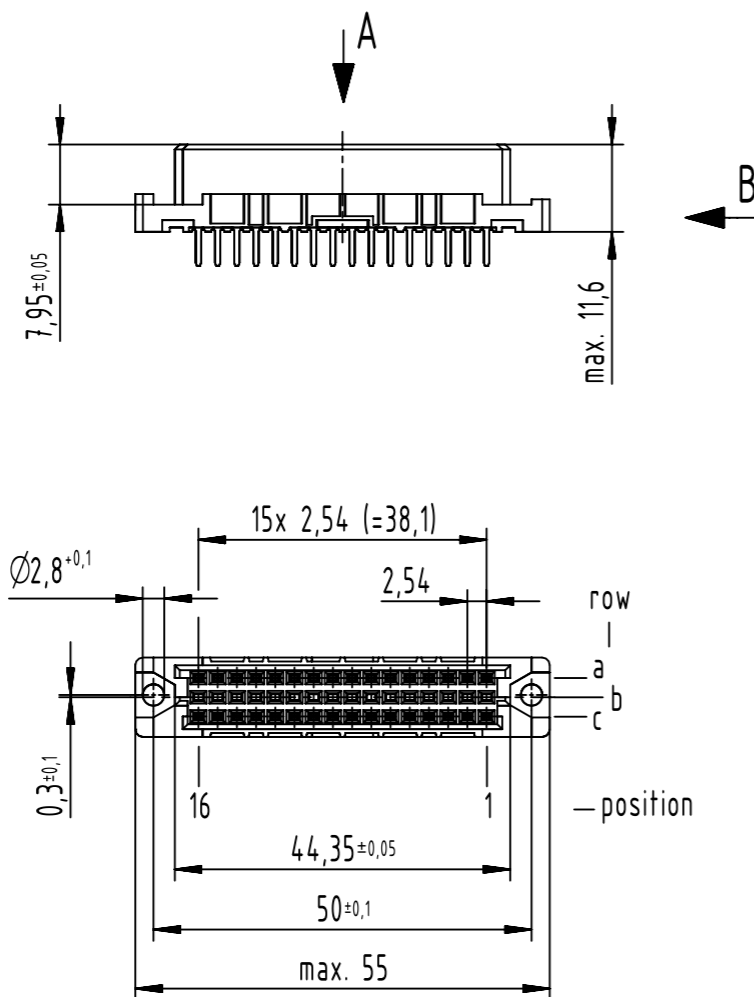


32 solder contacts

⊗ = solder contact

○ = position without contact



09 23 232 7825	3
09 23 232 6825	2
part no.	performance level

further information see product data sheet

	All Dimensions in mm Original Size DIN A3	Scale 1:1	Free size tol.	Ref.
	All rights reserved Department EL PD	Created by STORCK	Inspected by LEHNERT	Standardisation
HARTING D-32339 Espelkamp	Title DIN Signal type 2C female solder 4.5 32-pole			Doc-Key / ECM-Nr. 100181948/UGD/030/C 500000204801
	Type TB	Number 0923232X825	Rev. C	Page 1/1
		Date 2021-11-05	State Final Release	