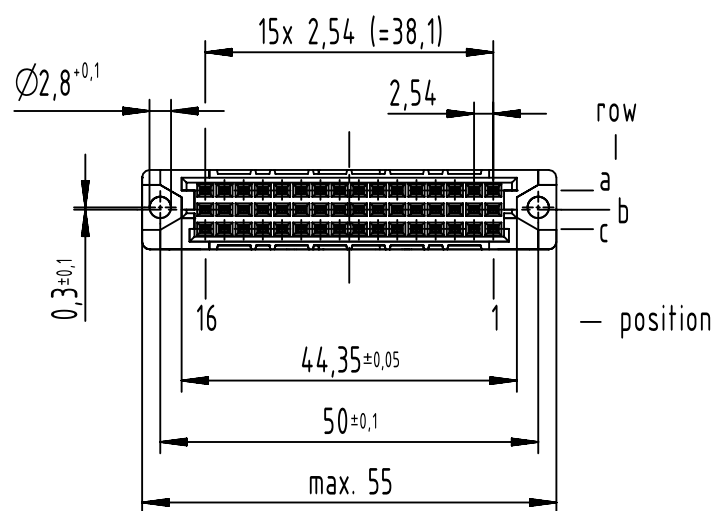
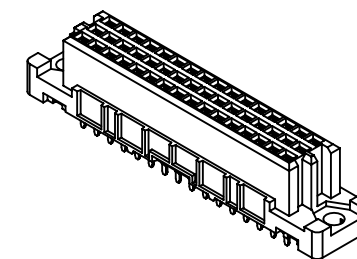
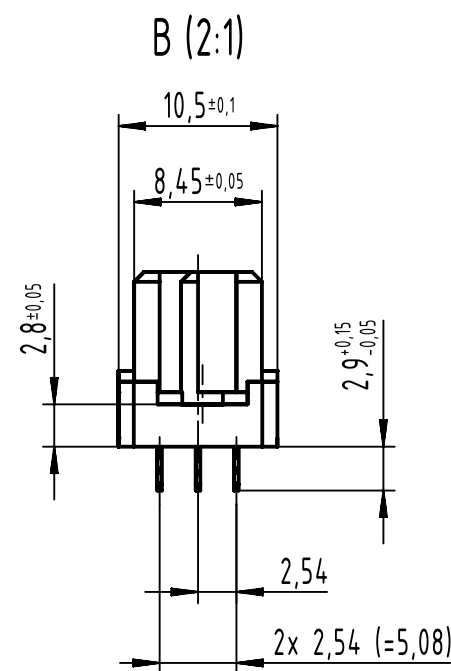
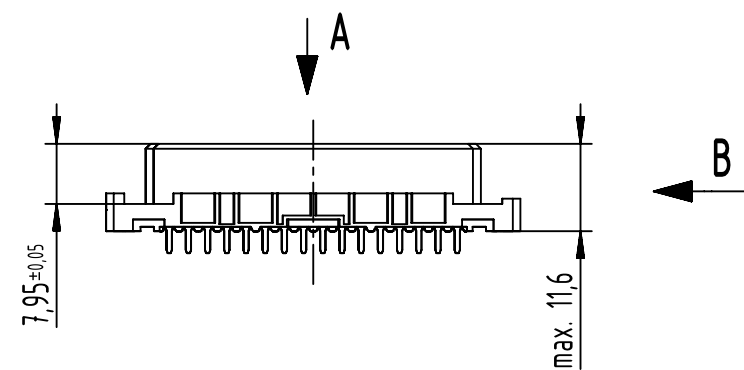


48 solder contacts  
 ☒ = solder contact  
 □ = position without contact



further information see product data sheet

09 23 248 6824	2
09 23 248 2824	1
part no.	performance level

All rights reserved Department EL PD HARTING D-32339 Espelkamp	All Dimensions in mm Original Size DIN A3	Scale 1:1 Free size tol. IEC 60603-2	Ref. Sub.	Created by STORCK	Inspected by LEHNERT	Standardisation	Date 2021-11-05	State Final Release
	Title DIN Signal type 2C female solder 2.9 48-pole							Doc-Key / ECM-Nr. 100181948/UGD/051/C 500000204801
		Type TB	Number 0923248X824		Rev. C	Page 1/1		