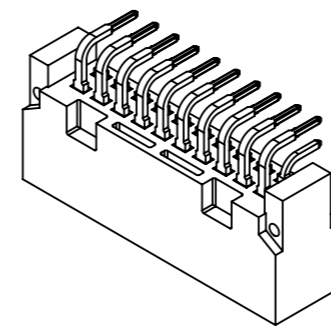


mating conditions not acc. to IEC 60603-2



1 further information see: DS 09031200201

09 24 120 6571	2
part no.	performance level 1

	All Dimensions in mm Original Size DIN A3	Scale 1:1	Free size tol. IEC 60603-2	Ref. Sub. TB 09 24 120 X571 / 35604 / 05.05.2009		
	All rights reserved Department EC PD - DE	Created by HAGEMEYERE	Inspected by LEHNERT	Standardisation HOFFMANN	Date 2015-07-17	State Final Release
HARTING Electronics GmbH D-32339 Espelkamp		Title DIN Signal type 3B male solder w/o flange 20-pole			Doc-Key / ECM-Nr. 100173488/UGD/003/B 50000090077	
		Type TB	Number 0924120X571		Rev. B	Page 1/1