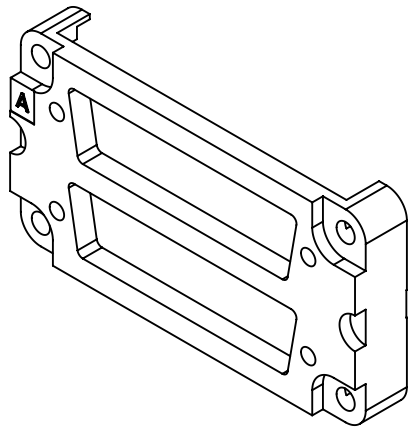
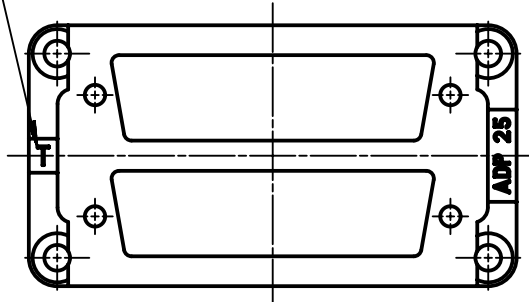
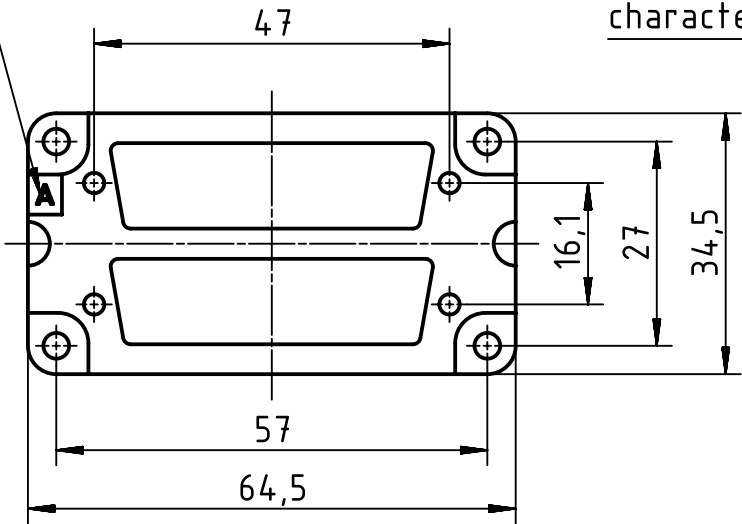


mounting in housing:
character "A" visible

mounting in hood:
character "T" visible

back view



belongs to range of delivery:
4x screws ISO 1481-ST2,9x6,5F
4x screws ISO 1207-M3x14

	All Dimensions in mm Original Size DIN A4		Scale 1:1	Free size tol.		Ref.		
	All rights reserved Department EL PD - DE		Created by HARLASSK	Inspected by NICHTERLEIN	Standardisation RUETERA	Date 2017-09-21	State Final Release	
HARTING Electric GmbH & Co. KG D-32339 Espelkamp			Title Adapter Han 10B - 2x D-Sub 25				Doc-Key / ECM-Nr. 100210145/UGD/004/A 500000125248	
			Type TB	Number 09 30 000 9972			Rev. A	Page 1/1