

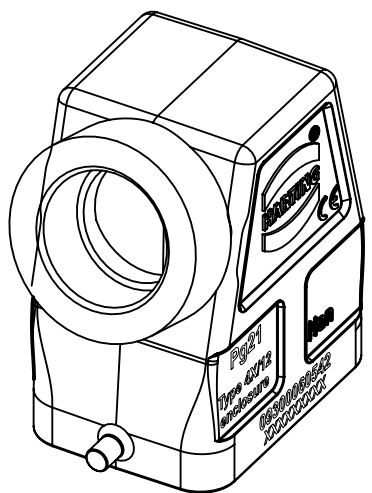
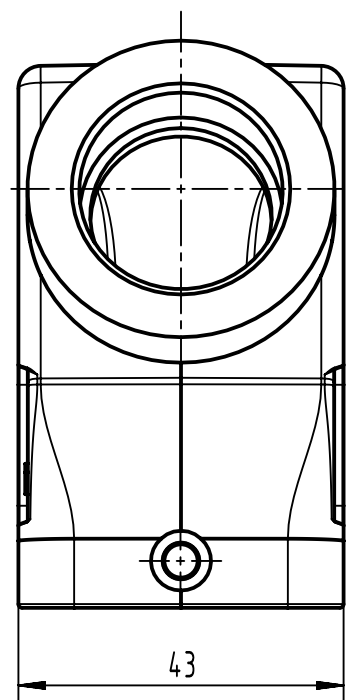
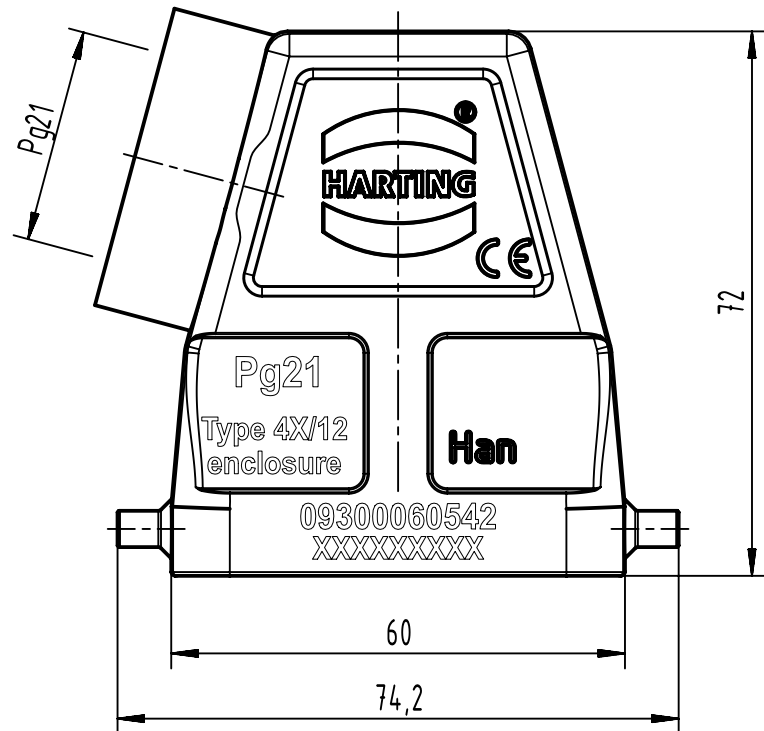
1 2 3 4 5 6

A

B

C

D



	All Dimensions in mm Original Size DIN A4		Scale 1:1	Free size tol.		Ref.	
						Sub.	
	All rights reserved		Created by SPRENB	Inspected by GERB	Standardisation 302077	Date 2021-07-02	
	Department EL PD					State Final Release	
HARTING		Title Han B Hood Side Entry HC 2 Pegs PG 21				Doc-Key / ECM-Nr. 100519289/UGD/000/E 500000195823	
D-32339 Espelkamp		Type TB	Number 09 30 006 0542			Rev. E	Page 1/1