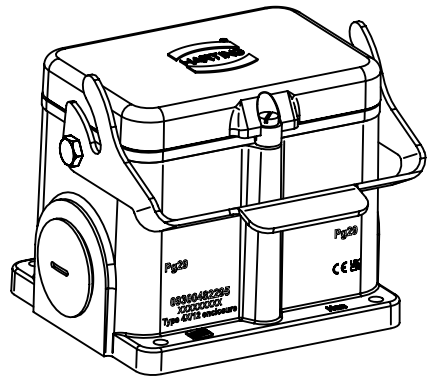


range of delivery: cover closed



	All Dimensions in mm Original Size DIN A4		Scale 1:2	Free size tol.		Ref. Sub. TB 19 30 048 0298 v. 06.12.00	
		All rights reserved	Created by 105230	Inspected by GERB	Standardisation	Date 2023-12-14	State Final Release
Department EL PD		Title Han B Base Surface LC 1 Lever Metal Cove					Doc-Key / ECM-Nr. 100667949/UGD/005/F 500000260238
HARTING D-32339 Espelkamp		Type TB	Number 09 30 048 2295			Rev. F	Page 1/1