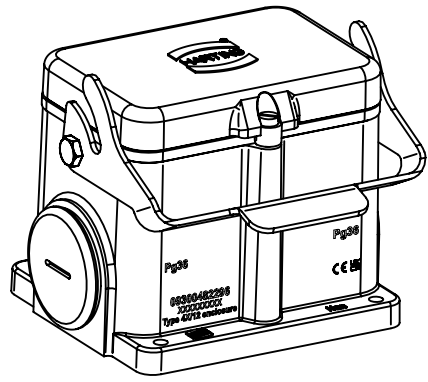
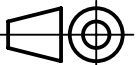



range of delivery: cover closed



 All Dimensions in mm Original Size DIN A4		Scale 1:2		Free size tol.		Ref.	
 All rights reserved Department EL PD		Created by 105230		Inspected by GERB		Standardisation	
HARTING D-32339 Espelkamp		Title Han B Base SM LC metal cover 2 x Pg 36				Date 2023-12-14	
		Type TB		Number 09 30 048 2296		State Final Release	
						Doc-Key / ECM-Nr. 100668107/UGD/005/F 500000260238	
						Rev. F Page 1/1	