

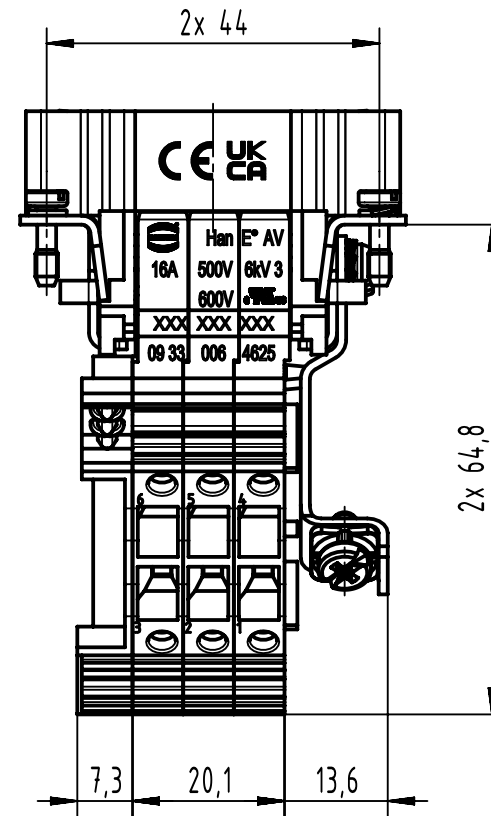
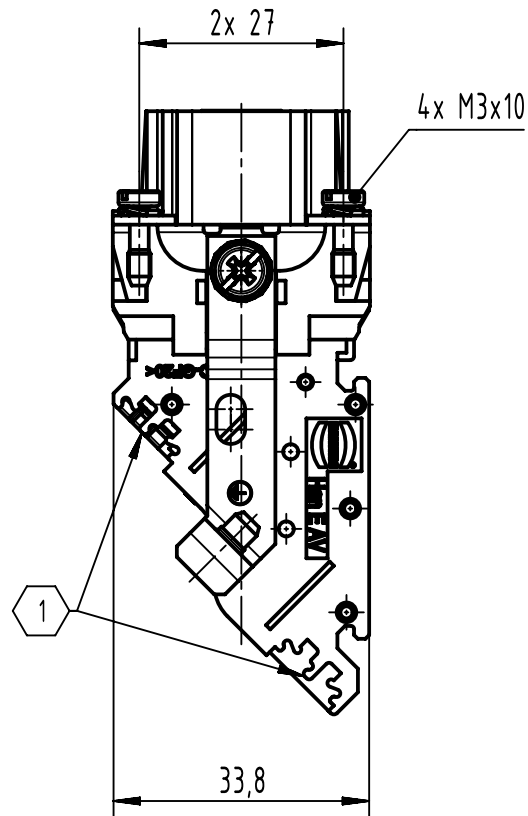
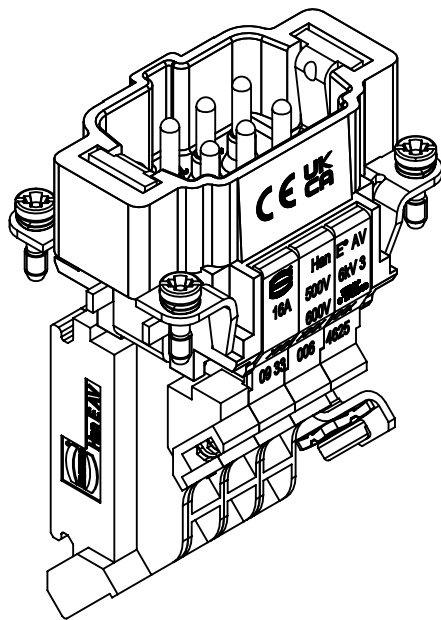
1 2 3 4 5 6

A

B

C

D



1 Slots for designation strips (max. 6 digits)

	All Dimensions in mm Original Size DIN A4	Scale 1:1		Free size tol.		Ref.		
		Created by LUPU		Inspected by 402602		Standardisation		Date 2022-11-25
	All rights reserved		Department EL PD		State Final Release		Doc-Key / ECM-Nr. 100129911/UGD/006/E 500000231226	
	HARTING D-32339 Espelkamp		Title Han E AV 6 Pos. Male Terminal Block Left		Type TB		Number 09 33 006 4625	
							Rev. E	Page 1/1