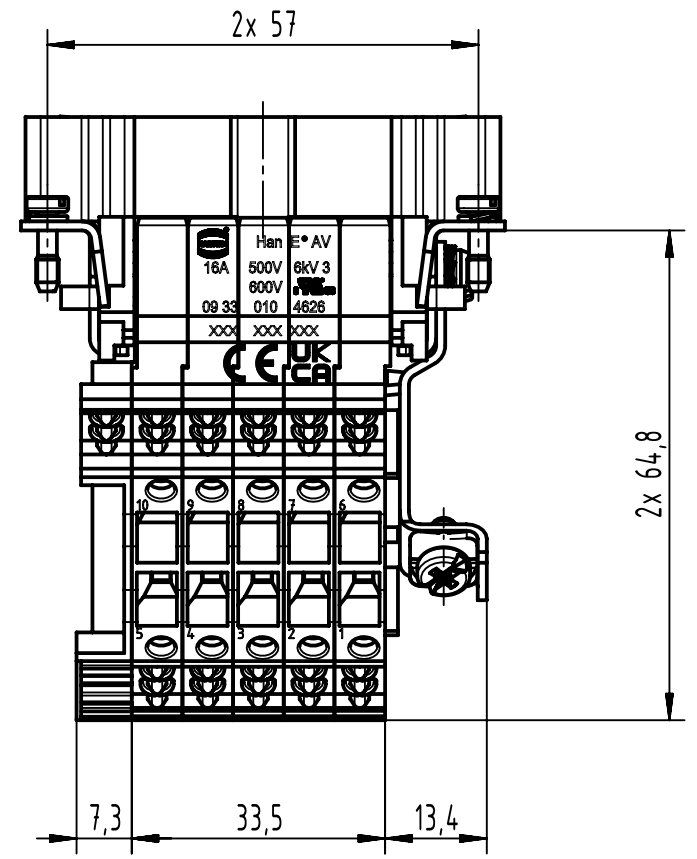
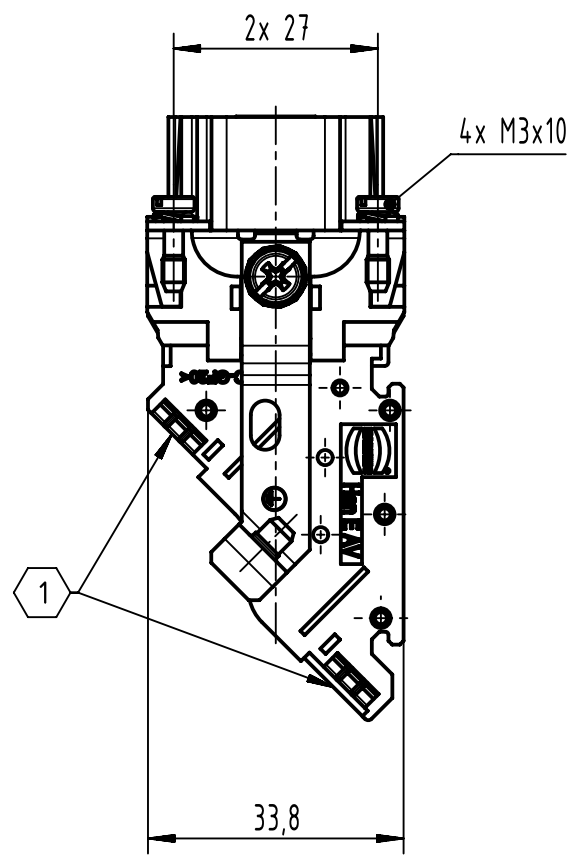
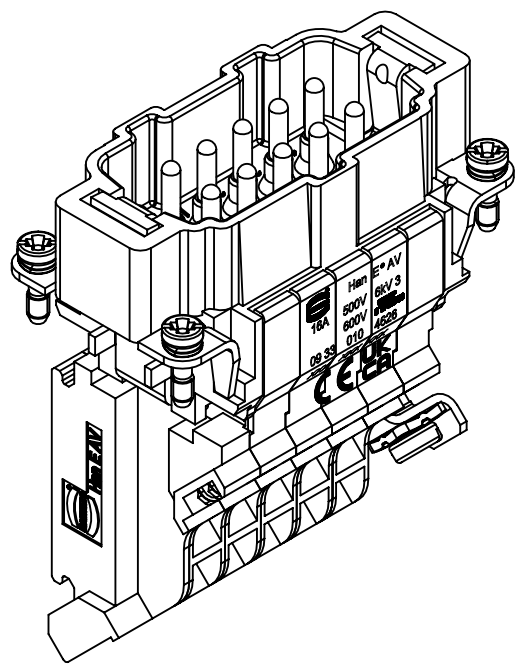


1 2 3 4 5 6

A
B
C
D



1 Slots for designation strips (max. 6 digits)

	All Dimensions in mm Original Size DIN A4		Scale 1:1	Free size tol.		Ref.		
						Sub.		
	All rights reserved		Created by 405690	Inspected by 402602	Standardisation	Date 2023-11-08	State Final Release	
	Department EL PD		Title Han E AV 10 Pos. M Insert Term. Block le				Doc-Key / ECM-Nr. 100130201/UGD/006/E 500000231815	
HARTING D-32339 Espelkamp			Type TB	Number 09 33 010 4626			Rev. E	Page 1/1