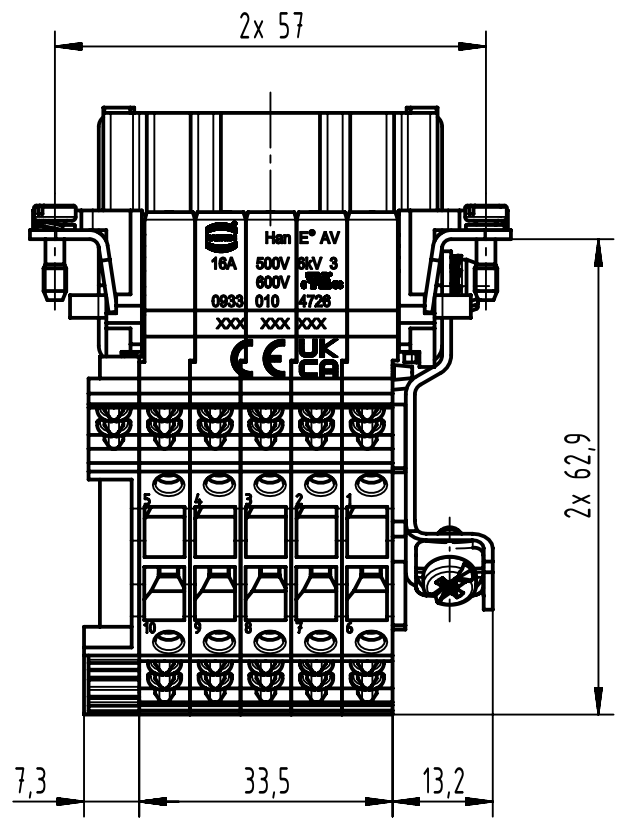
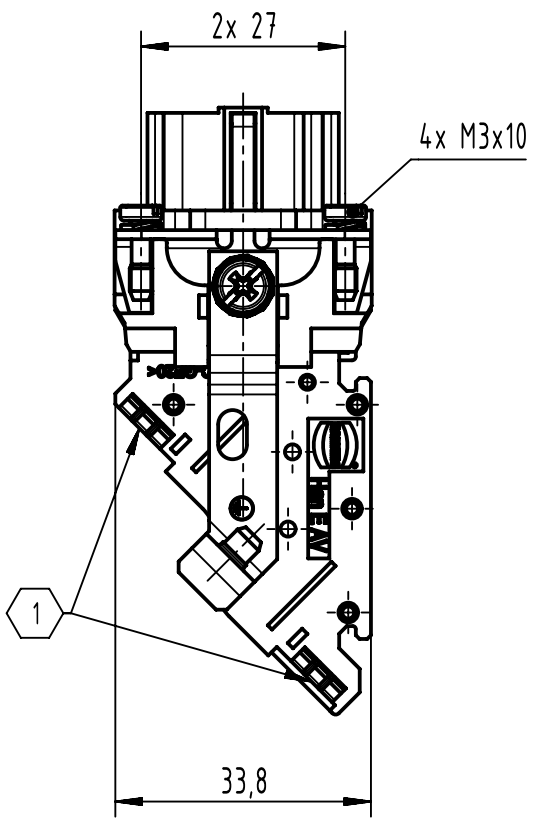
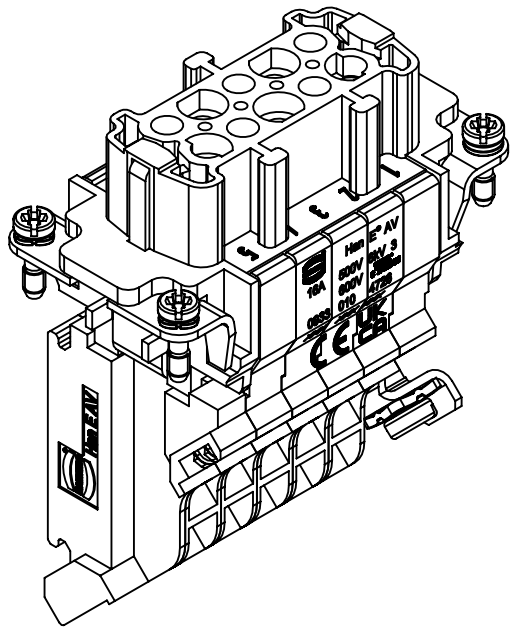


1 2 3 4 5 6

A
B
C
D



1 Slots for designation strips (max. 6 digits)

	All Dimensions in mm Original Size DIN A4	Scale 1:1		Free size tol.		Ref.	
		Created by LUPU		Inspected by 402602		Date 2022-11-25	
	All rights reserved Department EL PD	Title Han E AV 10Pos. F Insert Term. Block left				Doc-Key / ECM-Nr. 100204843/UGD/005/E 500000231227	
		HARTING D-32339 Espelkamp		Type TB Number 09 33 010 4726		Rev. E Page 1/1	