

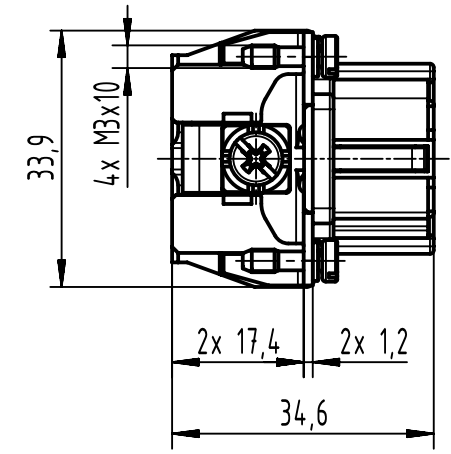
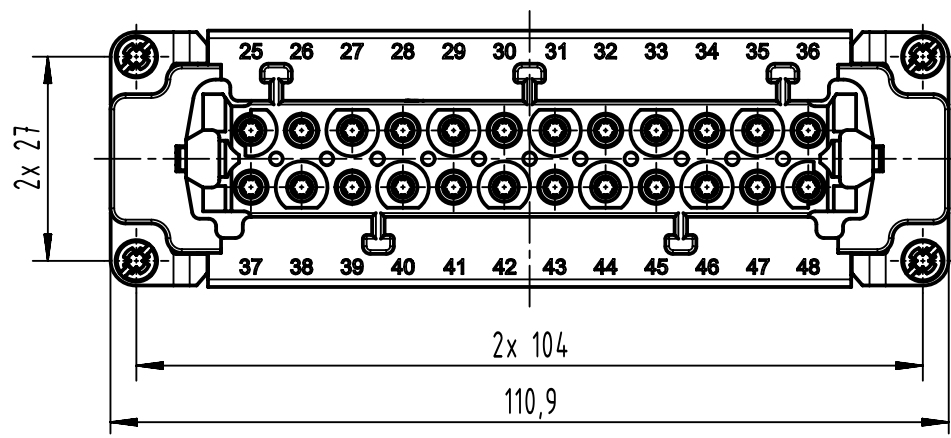
1 2 3 4 5 6

A

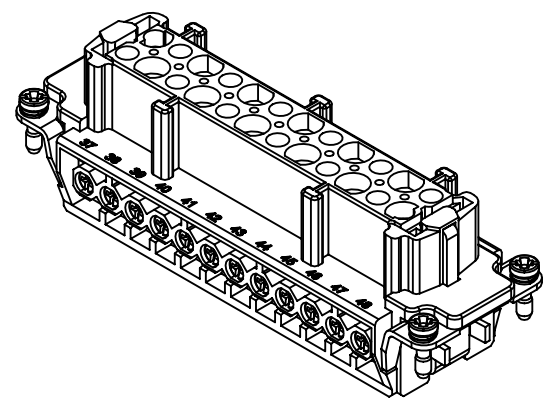
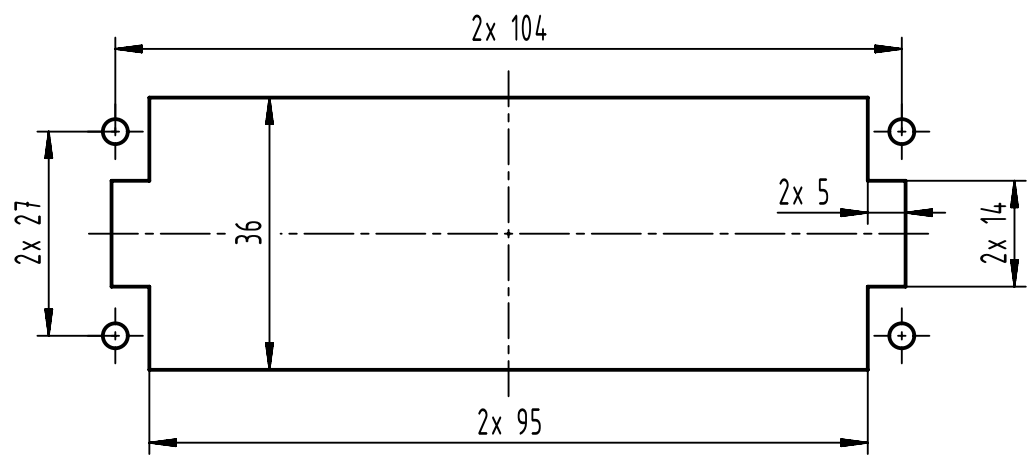
B

C

D



panel cut out



	All Dimensions in mm Original Size DIN A4		Scale 1:1	Free size tol.		Ref.
						Sub.
	All rights reserved		Created by HOLLERT	Inspected by SCHNIEDER	Standardisation SAP_WFRT	Date 2022-06-02
	Department EL PD					State Final Release
HARTING			Title Han 24E F insert screw (25-48)			Doc-Key / ECM-Nr. 100089270/UGD/008/C 500000218216
D-32339 Espelkamp			Type TB	Number 09 33 024 2711		
						Rev. C
						Page 1/1