

1 2 3 4 5 6

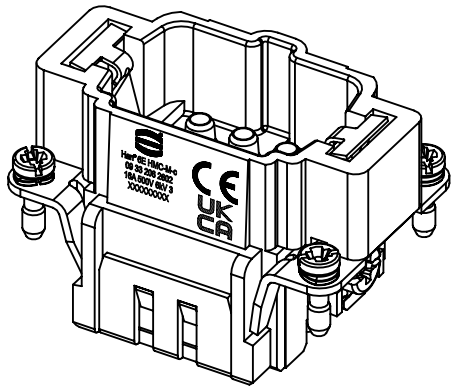
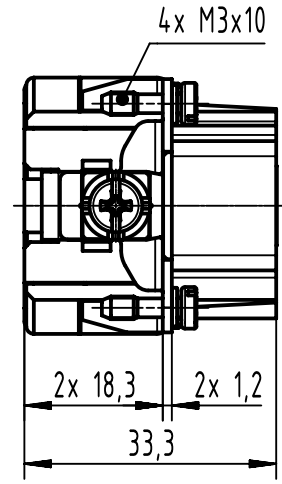
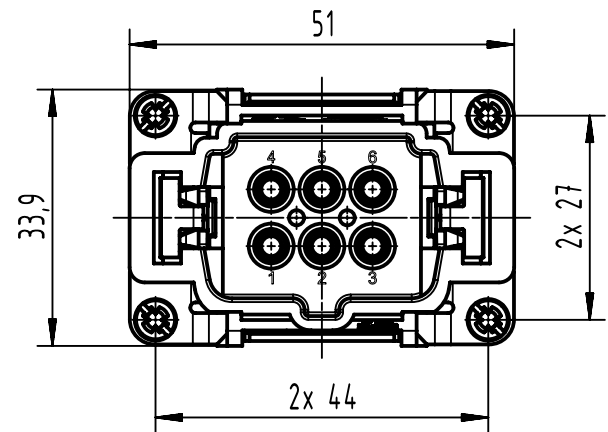
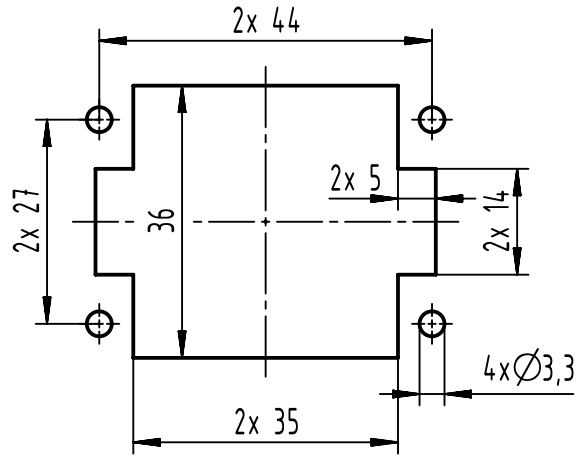
A

B

C

D

panel cut out



	All Dimensions in mm Original Size DIN A4		Scale 1:1	Free size tol.		Ref.
			Created by HOLLERT	Inspected by SCHNIEDER	Standardisation	Sub.
All rights reserved Department EL PD		Title <b>Han 6E HMC-M-c</b>		Date 2022-08-12		State Final Release
HARTING D-32339 Espelkamp		Type TB		Number 09 33 206 2602		Doc-Key / ECM-Nr. 100527285/UGD/002/E 500000220614
					Rev. <b>E</b>	Page 1/1