

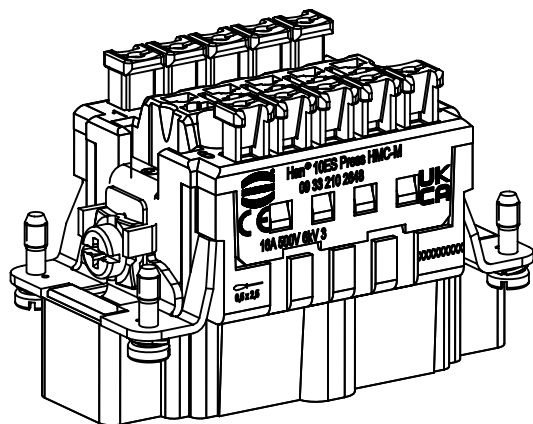
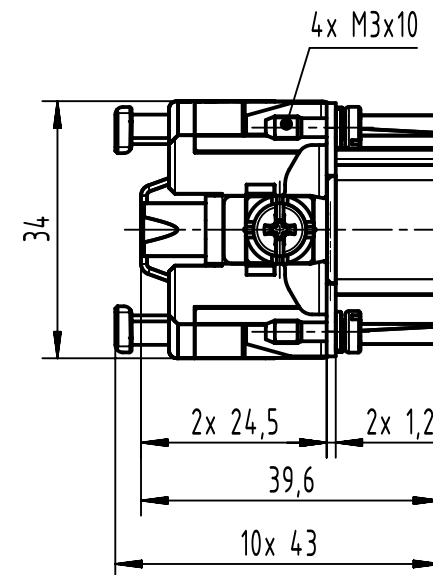
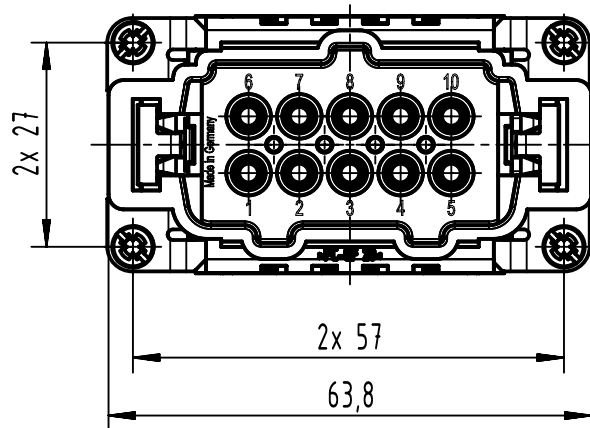
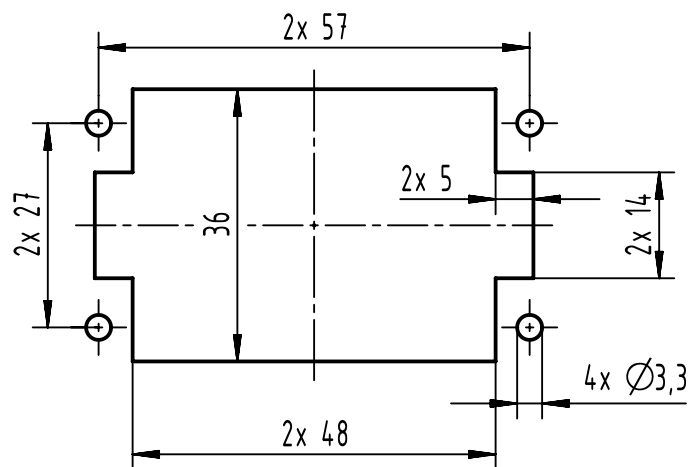
1 2 3 4 5 6


A

B

C

D



	All rights reserved Department EL PD	All Dimensions in mm Original Size DIN A4		Scale 1:1	Free size tol.	Ref. Sub.
		Created by SPRENB	Inspected by RUETERA	Standardisation SAP_WFRT	Date 2022-03-14	State Final Release
HARTING D-32339 Espelkamp		Title Han 10ES Press HMC-M			Doc-Key / ECM-Nr. 100761359/UGD/001/D 500000213238	
		Type TB	Number 09 33 210 2648		Rev. D	Page 1/1