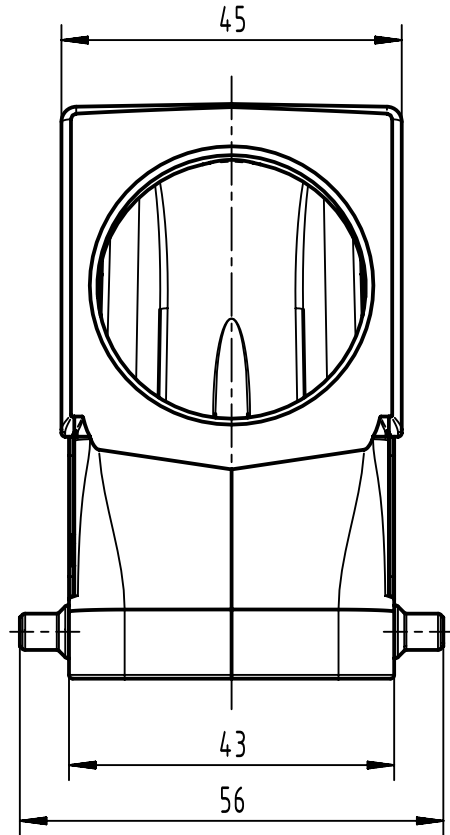
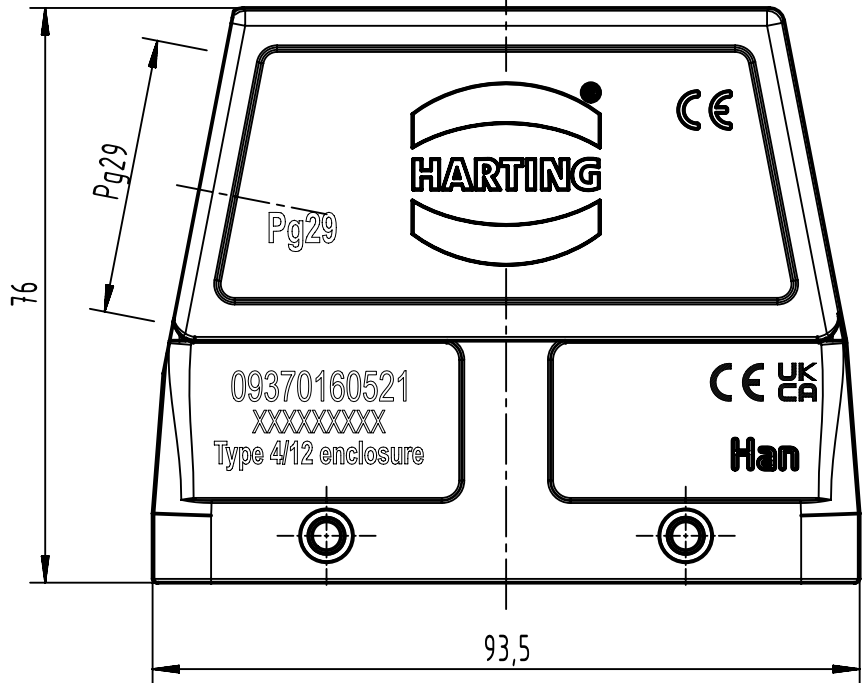
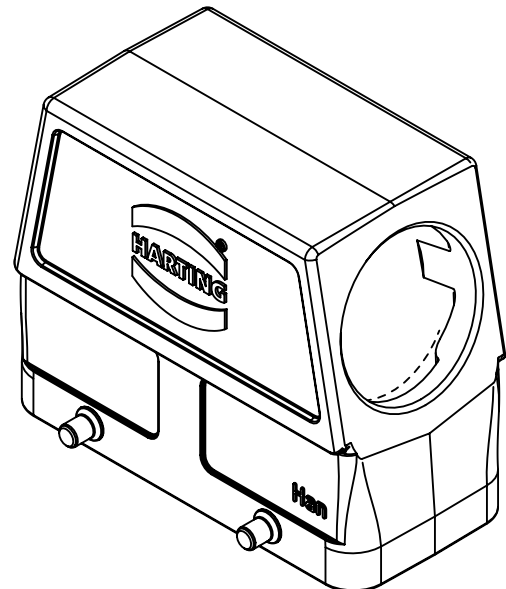
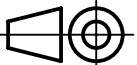



1 2 3 4 5 6

A  
B  
C  
D



 All Dimensions in mm Original Size DIN A4	Scale 1:1	Free size tol.		Ref. Sub. TB 09 37 016 0521 v. 23.08.00		
	 All rights reserved Department EL PD	Created by HELLMANN	Inspected by GERB	Standardisation	Date 2023-12-14	State Final Release
HARTING D-32339 Espelkamp		Title Han M Hood Side Entry 4 Pegs PG 29			Doc-Key / ECM-Nr. 100221135/UGD/002/E 500000258066	
		Type TB	Number 09 37 016 0521		Rev. E	Page 1/1