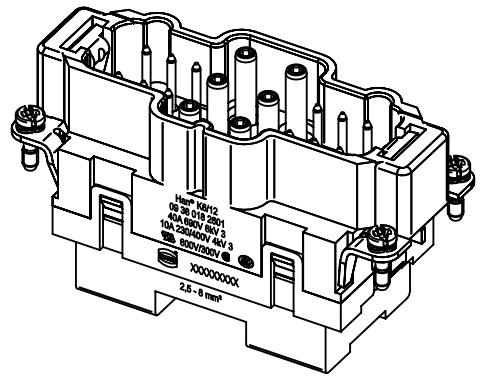
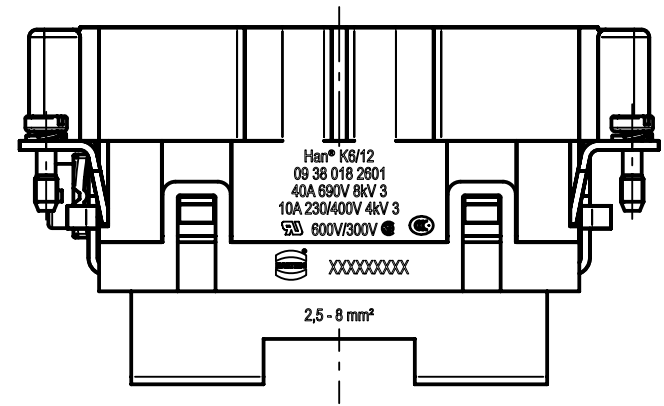
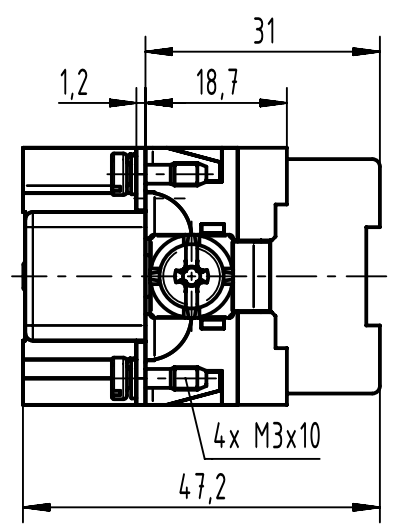
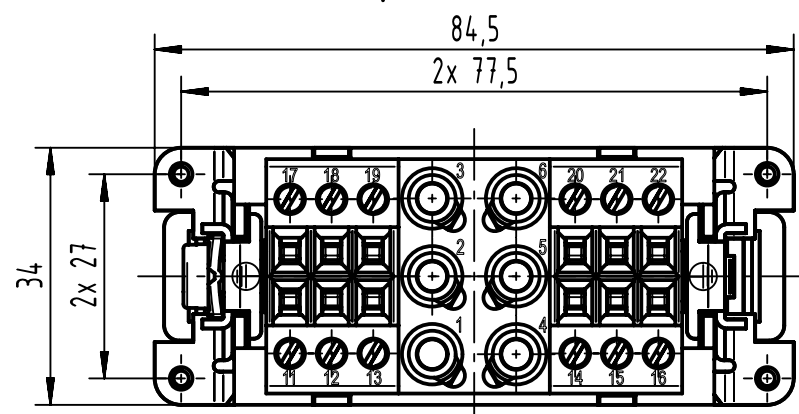
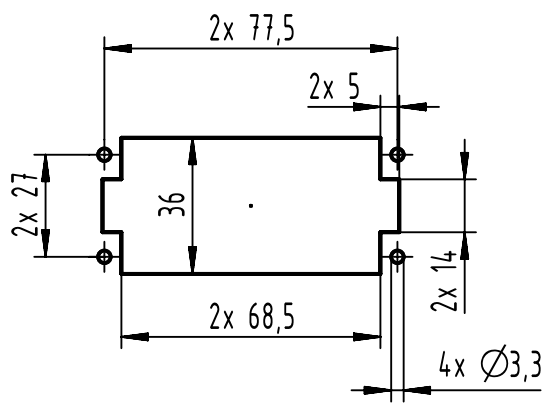


1 2 3 4 5 6

panel cut out
(1:2)



	All rights reserved Department EL PD	All Dimensions in mm Original Size DIN A4		Scale 1:1	Free size tol.	Ref. Sub. TB 09 38 018 2601 v. 12.03.10		
		HARTING D-32339 Espelkamp	Created by HELLMANN	Inspected by GERB	Standardisation 302077	Date 2021-04-29	State Final Release	Doc-Key / ECM-Nr. 1001244.10/UGD/009/B 500000194.210
		Title Han K 6/12-M			Number 09 38 018 2601		Rev. B	Page 1/1