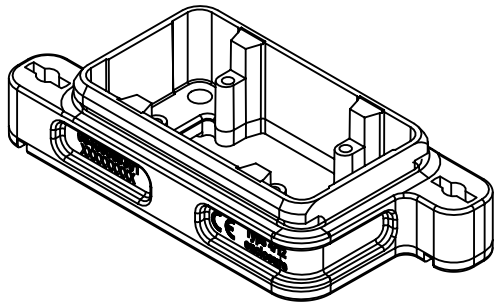



application	a
standard insert	35
HC-Modular 650	44,5



	All rights reserved		Created by MOELLERLI		Inspected by 3236		Standardisation		Date 2023-11-30		State Final Release	
	Department EL PD		Title Han 6 HPR Base Panel Toggle locking		Doc-Key / ECM-Nr. 100209960/UGD/004/F 500000258372		Type TB		Number 09 40 006 0301		Rev. F Page 1/1	